



VALBOL

Válvulas Worcester de Argentina S.A.

Valves & Automation

Válvulas y Automatización



Industrial Plant in Buenos Aires (150.000 sq. ft.).
Planta Industrial de 15.000 m² en Buenos Aires.



Qualified personnel to solve industry needs.
Personal altamente capacitado para resolver aplicaciones específicas que pueda requerir la industria.

Lic. Pablo Reim and Management Staff.
Lic. Pablo Reim y equipo gerencial.

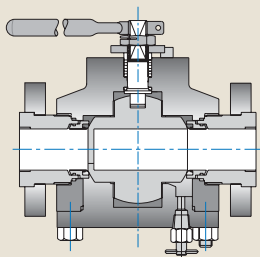


Machining Area.
Sector Mecanizado.

Valbol products are manufactured since 1967.
 Our company employs over 150 people whose mission is to satisfy customer needs in quality, delivery and service.

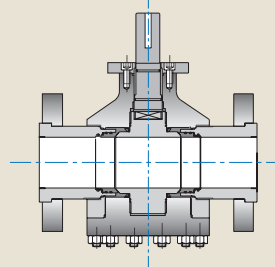
*Los productos Valbol son fabricados desde 1967.
 Nuestra empresa tiene más de 150 empleados cuyo objetivo es satisfacer las necesidades del cliente en calidad, plazo de entrega y servicio.*

Catalogue on request.
Request our custom product department for other special applications.
Solicite folleto específico.
Consulte con nuestro Departamento de Ingeniería para aplicaciones especiales.



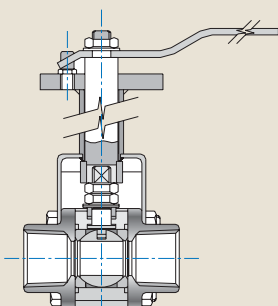
Pig Valve
Scrapers launch and receptor valve. Trunnion ball
150 to 900 ANSI series
Diameters 2" to 8"
No tools operation

Pig Valve
Lanzadora y receptora de pigs/scrapers
Esfera guiada integral
Serie ANSI 150 a 900
Diámetros entre 2" y 8"
Operable sin herramientas



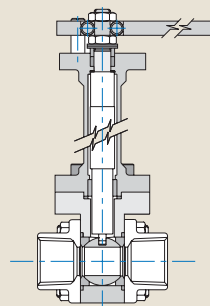
Cut Valve
ALL METAL METAL,
seats full bore ball valve
WE RF, RTJ
300 to 1500 ANSI Series
Diameters 2" to 8"
Enhanced recovery

Cut Valve
Asiento METAL/METAL,
paso total. WE RF, RTJ
Serie ANSI 300 a 1500
Diámetros entre 2" y 8"
Recuperación secundaria



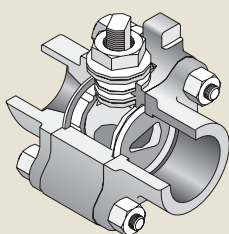
Extended Stem
For insulated piping
screwed, socket ends
Flanged ANSI 150 & 300
Diameters from 1/4" to 10"

Vástago Prolongado
para Instalaciones con
Aislación Térmica
Extremos Roscados SW-BW
Bridados ANSI 150 - 300
Diámetros entre 1/4" y 10"



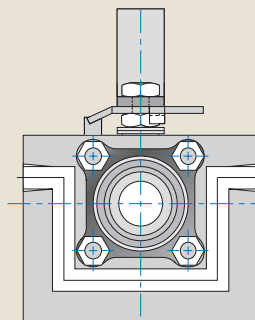
Cryogenic Service (-325°F)
Screwed, socket ends
Flanged ANSI 150 & 300
Diameters from 1/2" to 8"

Criogénica
Extremos Roscados y Bridados
Temperatura hasta -200°C
Diámetros entre 1/2" y 8"



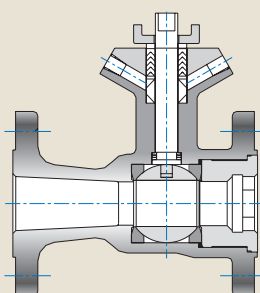
Metal Seats
w/round port metal seats
or characterized "V" port
metal seats
Screwed, socket ends
Flanged ANSI 150 & 300
Diameters from 1/4" to 6"

Asientos Metálicos
y Asientos Metálicos
Caracterizados (VPV)
Extremos Roscados, SW-BW
Bridados ANSI 150-300
Diámetros entre 1/4" y 6"



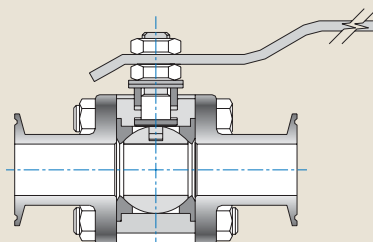
Jacketed Valves
Screwed, socket ends
Flanged ANSI 150 & 300
Diameters from 1/2" to 6"

Calefaccionada
Extremos roscados SW - BW
Bridados ANSI 150 - 300
Diámetros entre 1/4" y 6"



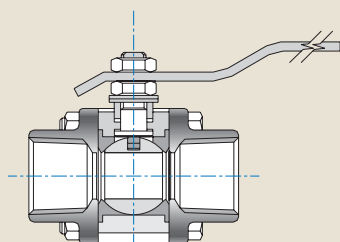
Fugitive Emission
Special stem protection
for toxic fluids
Flanged ANSI 150 & 300
Diameters from 1/4" to 10"

Fugitive Emission
(Fluidos Tóxicos)
Bridados ANSI 150 & 300
Diámetros entre 1/2" y 4"



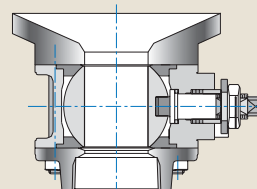
Sanitary Valves
Screwed, socket
and clamp ends
Diameters from 1/2" to 2"

Válvulas Sanitarias
Extremos Roscados SW-BW
Clamp
Diámetros entre 1/4" y 2"



Cavity Filled
Screwed, socket ends
Flanged ANSI 150 & 300
Diameters from 1/2" to 8"

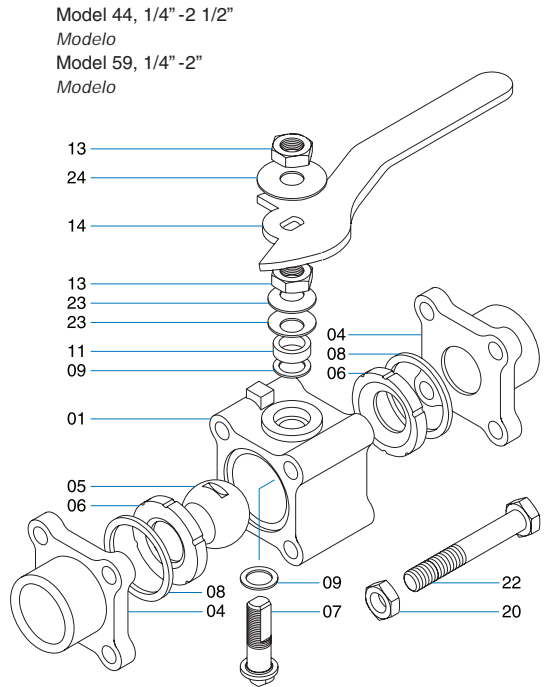
Cavity Filled
Extremos roscados
SW-BW de 1/4 a 2"
Bridados ANSI 150 & 300
Diámetros 1/2" a 8"



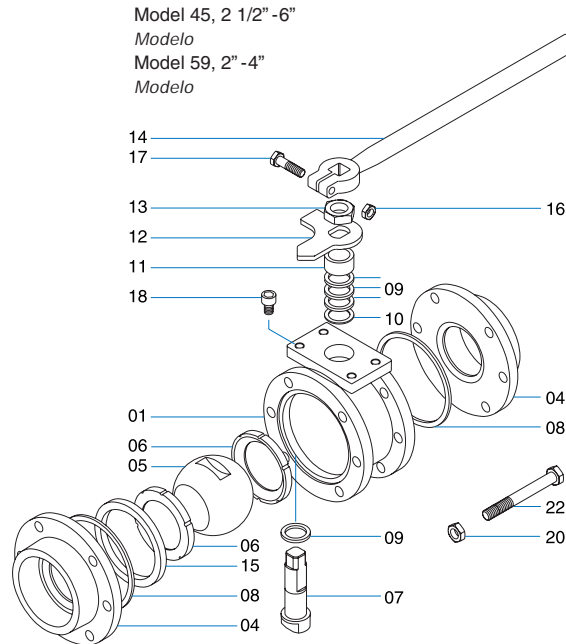
Flush Tank Bottom Valve
Diameters from 1/2" to 6"

Fondo de Tanque
Diámetros entre 1/2" y 6"

Typical valve parts assembly. Despiece de los componentes.



- | | | |
|-------------------|-----------------------|---------------|
| 01 Valve body | 10 Centering washer | 16 Hex nut |
| 04 Pipe ends | 11 Stem seal follower | 17 Bolt |
| 05 Ball | 12 Stop plate | 18 Stop screw |
| 06 Seats | 13 Retaining nut | 20 Body nuts |
| 07 Stem | 14 Handle | 22 Body bolts |
| 08 Body seals | 15 Seat retainer | 23 Bellville |
| 09 Thrust bearing | | 24 Name plate |

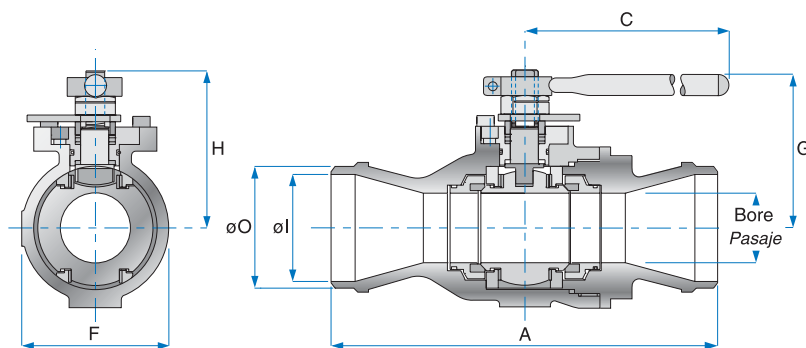


- | | | |
|-------------------|-------------------------|-------------------------|
| 01 Cuerpo | 11 Separador | 17 Tornillo |
| 04 Tapa | 12 Placa stop | 18 Tornillo tope |
| 05 Esfera | 13 Tuerca de vástago | 20 Tuerca |
| 06 Asiento | 14 Palanca | 22 Tornillo |
| 07 Vástago | 15 Anillo de suplemento | 23 Arandela Bellville |
| 08 Junta cuerpo | 16 Tuerca | 24 Placa identificación |
| 09 Arandela | | |
| 10 Arandela inox. | | |

MODEL 40 MODELO 40

Ball valve, "citygate" standard bore, trunnion mounted ball, BW, sockets and screwed; ANSI 150-300-600-900.

Válvula Esférica de Pasaje Nominal - Esfera Guiada BW, SW y Roscada; ANSI 150-300-600-900.



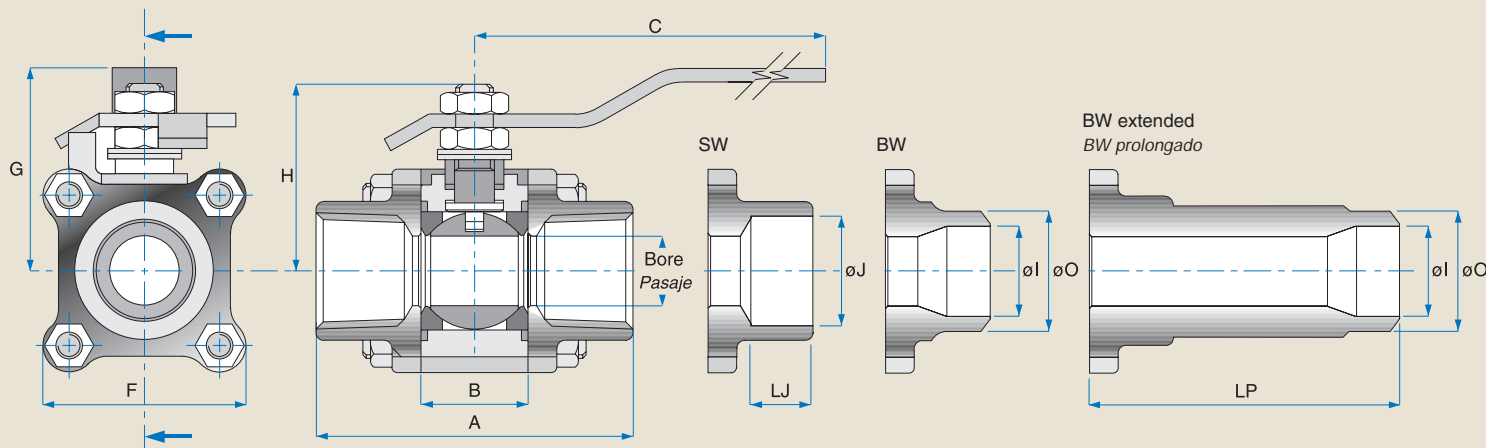
Threaded or socket ends. Extremos para soldar o roscados.

Dimensions. Dimensiones.

Size	Bore	Sch 40						
Tamaño	Pasaje	A	C	G	H	øI	øO	kg
1"	1.00	8.00	5.00	2.38	3.69	1.09	1.31	2.70
DN 25	25.4	203.2	127.0	60.5	93.7	27.7	33.3	
1 1/4"	1.00	8.00	5.00	3.34	4.90	1.38	1.66	4.00
DN 32	25.4	203.2	127.0	84.8	124.5	35.1	42.2	
1 1/2"	1.25	8.00	5.00	3.34	4.90	1.61	1.90	5.50
DN 38	31.8	203.2	127.0	84.8	124.5	40.9	48.3	
2"	1.50	8.50	5.75	3.06	4.59	2.07	2.38	7.70
DN 50	38.1	215.9	146.1	77.7	116.6	52.5	60.3	
2 1/2"	2.00	11.13	9.01	4.61	5.43	3.07	3.50	27.00
DN 80	50.8	282.6	229.0	117.1	138.0	77.9	88.9	
4"	3.00	12.00	22.56	6.31	6.10	4.03	4.50	38.00
DN 100	76.2	304.8	573.0	160.3	155.0	102.3	114.3	
6"	4.00	18.00	22.56	6.93	6.93	6.07	6.63	65.00
DN 150	101.6	457.2	573.0	176.0	176.0	154.1	168.3	
8"	6.00	20.50	33.82	10.08	10.24	7.98	8.63	115.00
DN 200	152.4	520.7	859.0	256.0	260.1	202.7	219.1	

Note: Full bore on request.

Nota: Paso total bajo pedido.



Threaded, SW or BW ends. Extremos roscados para soldar a tope o enchufe.

Model 44. Modelo 44.

Ball valve, three piece design, standard bore blowout-proof stem. Válvula Esférica de Pasaje Nominal, de 3 Piezas con Vástago Inexpulsable.

Dimensions. Dimensiones.

Size Tamaño	Bore Pasaje	A	B	C	F	G	H	øJ	LJ	LP	øO	Sch 5 øI	Sch 10 øI	Sch 40 øI	kg
1/4"	0.44	2.25	0.81	4.44	1.75	1.81	1.59	0.55	0.44	3.72	0.55	-	0.41	0.27	0.52
DN 8	11.2	57.1	20.7	112.8	44.5	46.0	40.4	14.1	11.2	94.5	14.0	-	10.3	6.8	
3/8"	0.44	2.25	0.81	4.44	1.75	1.81	1.59	0.69	0.44	3.72	0.67	-	0.55	0.49	0.52
DN 10	11.2	57.1	20.7	112.8	44.5	46.0	40.4	17.5	11.2	94.5	17.0	-	13.9	12.5	
1/2"	0.44	2.57	0.81	4.44	1.75	1.81	1.59	0.86	0.44	3.72	0.84	0.71	0.67	0.62	0.52
DN 15	11.2	65.3	20.7	112.8	44.5	46.0	40.4	21.7	11.2	94.5	21.3	18.0	17.1	15.8	
3/4"	0.56	2.79	0.97	4.44	2.00	1.88	1.69	1.07	0.56	4.02	1.05	0.92	0.88	0.82	0.71
DN 20	14.2	70.7	24.6	112.8	50.8	47.8	42.8	27.1	14.2	102.2	26.7	23.4	22.2	20.09	
1"	0.81	3.72	1.25	5.75	2.38	2.44	2.20	1.33	0.72	4.19	1.31	1.18	1.09	1.05	1.34
DN 25	20.6	94.52	31.8	146.1	60.5	62.0	55.8	33.8	18.3	106.4	33.3	30.1	27.8	26.6	
1 1/4"	1.00	4.22	1.63	5.75	2.62	2.62	2.38	1.68	0.72	4.31	1.66	1.53	1.44	1.38	2.08
DN 32	25.4	107.1	41.3	146.1	66.6	66.6	60.5	42.5	18.3	109.5	42.2	38.9	36.5	35.0	
1 1/2"	1.25	4.52	1.91	7.00	3.00	3.12	2.88	1.92	0.72	4.86	1.91	1.77	1.67	1.61	3.06
DN 40	31.8	114.86	48.4	177.8	76.2	79.3	73.2	48.6	18.3	123.4	48.5	45.0	42.5	40.9	
2"	1.50	4.97	2.22	7.00	3.38	3.31	3.06	2.41	0.84	5.02	2.38	2.24	2.15	2.07	3.90
DN 50	38.1	126.4	56.3	177.8	85.9	84.1	77.7	61.1	21.3	127.4	60.5	57.0	54.5	52.5	
2 1/2"	2.0	5.73	2.85	10.2	4.55	4.79	4.55	2.91	1.02	5.13	2.88	2.71	2.64	2.47	8.00
DN 65	50.8	145.6	72.5	260.0	115.5	121.9	115.6	73.9	25.9	130.3	73.0	68.8	66.9	62.7	

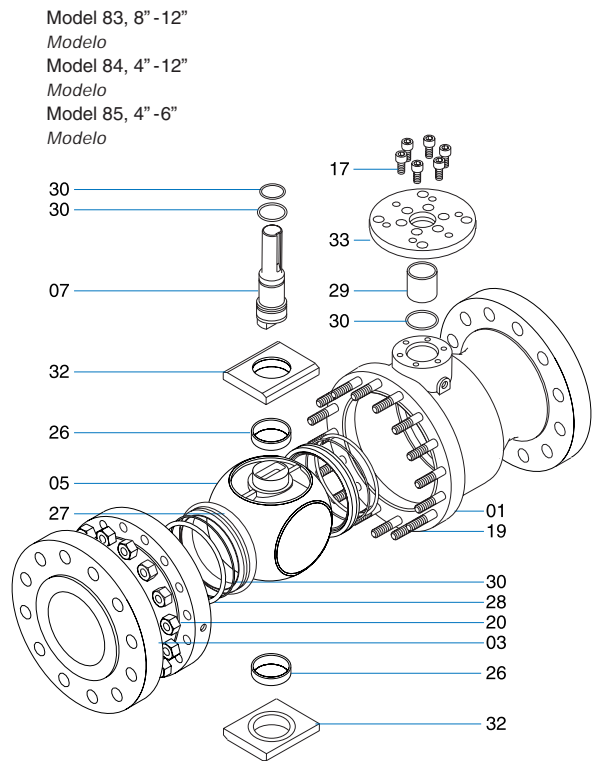
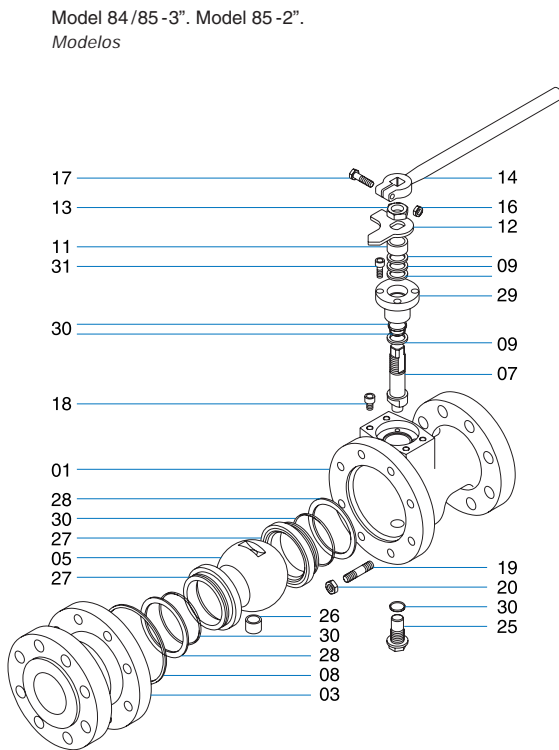
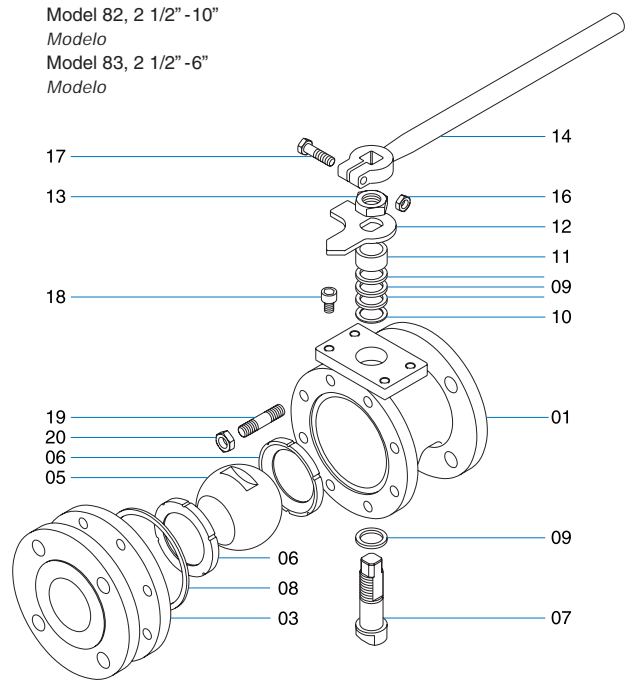
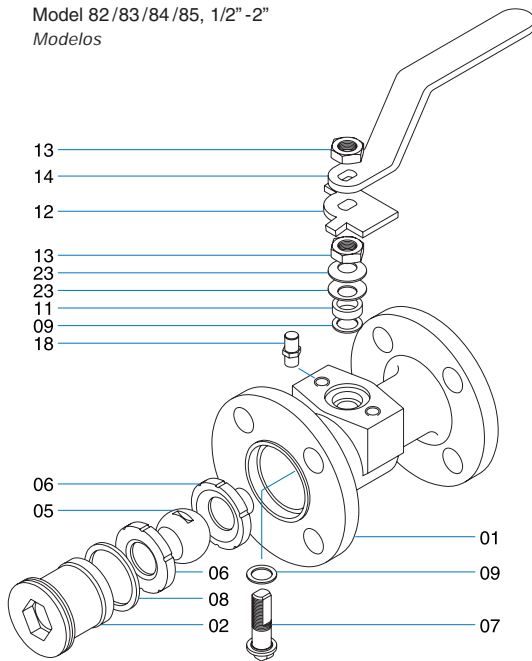
Model 59. Modelo 59.

Ball valve, three piece design, full bore blowout-proof stem. Válvula Esférica de Pasaje Total, de 3 Piezas con Vástago Inexpulsable.

Dimensions. Dimensiones.

Size Tamaño	Bore Pasaje	A	B	C	F	G	H	øJ	LJ	LP	øO	Sch 5 øI	Sch 10 øI	kg
1/4"	0.44	2.25	0.81	4.25	1.75	1.81	1.50	0.55	0.44	3.72	0.55	-	0.41	0.52
DN 8	11.2	57.2	20.7	108.0	44.5	46.0	38.1	14.1	11.2	94.5	14.0	-	10.3	
3/8"	0.44	2.25	0.81	4.25	1.75	1.81	1.50	0.69	0.44	3.72	0.67	-	0.55	0.52
DN 10	11.2	57.2	20.7	108.0	44.5	46.0	38.1	17.5	11.2	94.5	17.0	-	13.9	
1/2"	0.56	2.79	0.97	4.25	2.00	1.88	1.62	0.85	0.44	4.02	0.84	0.71	0.67	0.71
DN 15	14.2	70.7	24.6	108.0	50.8	47.8	41.2	21.7	11.2	102.2	21.3	18.0	17.1	
3/4"	0.81	3.72	1.25	5.75	2.38	2.44	2.19	1.07	0.56	4.19	1.05	0.92	0.88	1.34
DN 20	20.6	94.5	31.8	146.0	60.5	62.0	55.6	27.1	14.2	106.4	26.7	23.4	22.2	
1"	1.00	4.22	1.63	5.75	2.62	2.62	2.44	1.33	0.72	4.31	1.31	1.18	1.09	2.08
DN 25	25.4	107.1	41.3	146.0	66.6	66.6	62.0	33.8	18.3	109.5	33.3	30.1	27.8	
1 1/4"	1.25	4.52	1.91	7.00	3.00	3.12	2.81	1.67	0.72	4.86	1.66	1.53	1.44	3.06
DN 32	31.8	114.9	48.4	117.8	76.2	79.3	71.4	42.5	18.3	123.4	42.2	38.9	36.5	
1 1/2"	1.50	4.97	2.22	7.00	3.38	3.31	3.00	1.91	0.72	5.02	1.91	1.77	1.67	3.90
DN 40	38.1	126.4	56.3	177.8	85.9	84.0	76.2	48.6	18.3	127.4	48.5	45.0	42.5	
2"	2.0	5.73	2.85	10.2	4.55	4.79	4.08	2.41	0.84	5.13	2.38	2.24	2.15	8.00
DN 50	50.8	145.6	72.5	260.0	115.5	121.9	103.7	61.1	21.3	130.3	60.5	57.0	54.5	

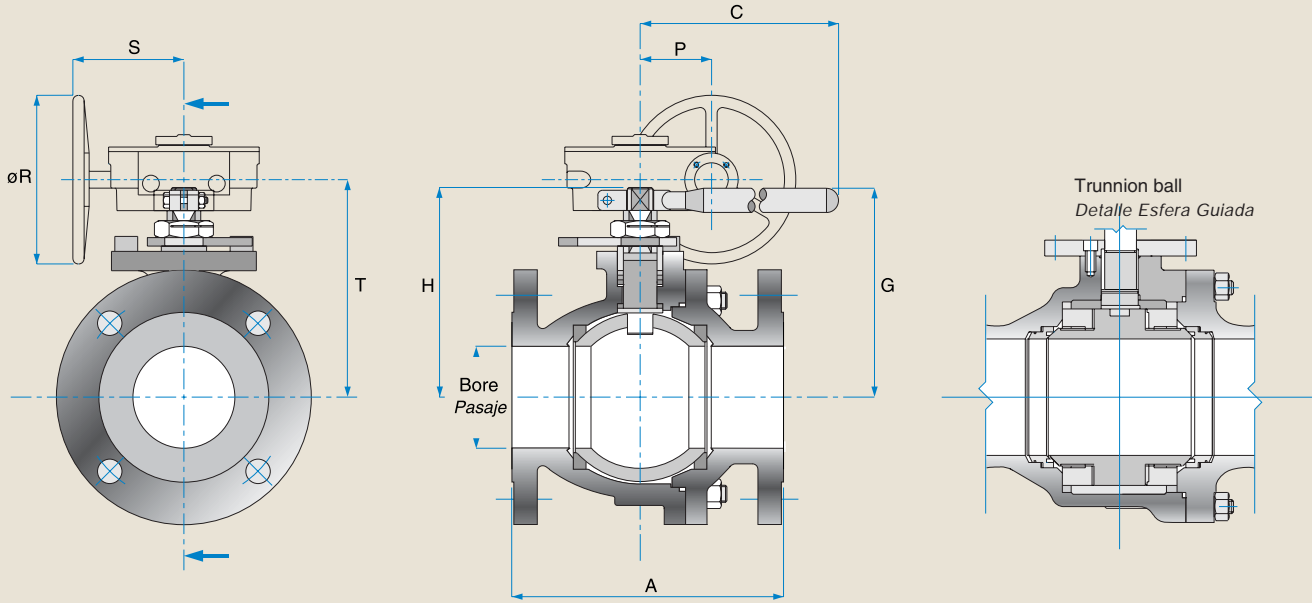
Typical valve parts assembly. Despiece de los componentes.



- | | | |
|---------------------|-----------------------|----------------------------|
| 01 Body | 11 Follower | 25 Inferior trunnion guide |
| 02 End plug | 12 Stop plate | 26 Buje |
| 03 Body tail piece | 13 Retaining nuts | 27 Porta asiento |
| 05 Ball | 14 Wrench/Handle | 28 Resorte platillo |
| 06 Seat | 16 Hex nut | 29 Buje vástago |
| 07 Stem | 17 Hex bolt | 30 O'Ring |
| 08 Body seal | 18 Stop screw | 31 Tornillo buje |
| 09 Thrust bearing | 23 Belleville washers | 32 Soporte guía |
| 10 Centering washer | | 33 Brida superior |

- | | | |
|-------------------|-----------------------|---------------------|
| 01 Cuerpo | 11 Separador | 25 Eje inferior |
| 02 Tapón | 12 Placa stop | 26 Buje |
| 03 Cuerpo chico | 13 Tuerca de vástago | 27 Porta asiento |
| 05 Esfera | 14 Palanca | 28 Resorte platillo |
| 06 Asiento | 16 Tuerca | 29 Buje vástago |
| 07 Vástago | 17 Tornillo | 30 O'Ring |
| 08 Junta cuerpo | 18 Tornillo tope | 31 Tornillo buje |
| 09 Arandela | 23 Arandela Bellville | 32 Soporte guía |
| 10 Arandela inox. | | 33 Brida superior |

Ball valve, full bore, two piece design, blowout -proof stem. *Válvula Esférica Bridada de Pasaje Total.*



Note: Model 82 Flanged ANSI 150
 Model 83 Flanged ANSI 300
 Model 84 Flanged ANSI 600
 Model 85 Flanged ANSI 900

Nota: Modelo 82 Bridado ANSI 150
 Modelo 83 Bridado ANSI 300
 Modelo 84 Bridado ANSI 600
 Modelo 85 Bridado ANSI 900

Dimensions. Dimensiones.

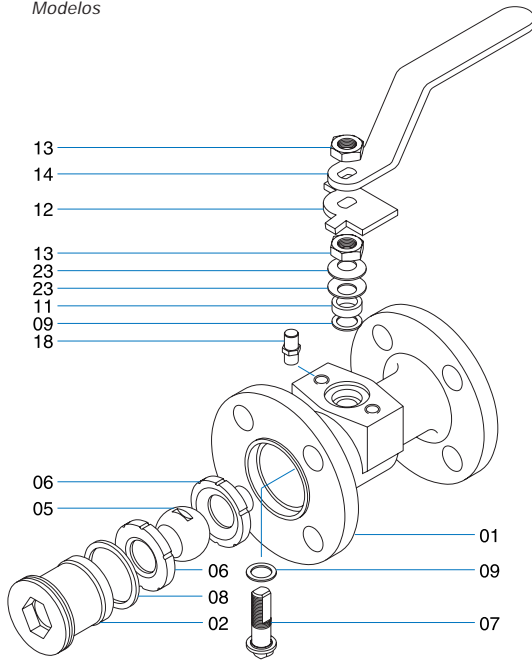
Size	Bore	Mod. 82	Mod. 83	Mod. 84	Mod. 85								Mod. 82	Mod. 83	Mod. 84	Mod. 85
Tamaño	Pasaje	A	A	A	A	C	G	H	P	ϕR	S	T	kg	kg	kg	kg
1/2"	0.56	4.25	5.50	6.50	-	5.12	3.35	1.60	-	-	-	-	1.80	2.50	2.70	-
DN 15	14.3	107.9	139.7	165.1	-	130.0	85.0	40.5	-	-	-	-	-	-	-	-
3/4"	0.81	4.62	6.00	-	-	5.79	4.37	2.19	-	-	-	-	2.50	4.00	5.00	-
DN 20	20.6	117.4	152.4	-	-	147.0	111.1	55.6	-	-	-	-	-	-	-	-
1"	1.00	5.00	6.50	8.50	-	5.00	3.69	2.38	-	-	-	-	3.50	5.00	6.00	-
DN 25	25.4	127.0	165.1	215.9	-	127.8	93.7	60.5	-	-	-	-	-	-	-	-
1 1/4"	1.25	5.50	7.00	-	-	5.75	4.90	3.34	-	-	-	-	6.50	8.00	-	-
DN 32	31.7	139.7	177.8	-	-	146.0	124.2	84.8	-	-	-	-	-	-	-	-
1 1/2"	1.50	6.50	7.50	9.50	12.00	5.75	4.59	3.06	-	-	-	-	6.50	9.00	11.00	45.00
DN 40	38.1	165.1	190.5	241.3	304.8	146.0	116.6	77.2	-	-	-	-	-	-	-	-
2"	2.00	7.00	8.50	11.50	14.50	10.24	5.05	4.57	-	-	-	-	9.18	17.00	19.70	55.00
DN 50	50.8	177.8	215.9	292.1	368.3	260.0	128.2	116.1	-	-	-	-	-	-	-	-
2 1/2"	2.50	7.50	9.50	13.00	16.50	18.31	5.91	5.71	-	-	-	-	18.50	25.00	40.00	60.00
DN 65	63.5	190.5	241.3	330.2	419.1	465.0	150.1	145.1	-	-	-	-	-	-	-	-
3"	3.00	8.00	11.12	14.00	15.00	18.31	7.13	6.93	-	-	-	-	24.00	33.00	45.00	75.00
DN 80	76.2	203.2	282.6	355.6	381.0	465.0	181.1	176.1	-	-	-	-	-	-	-	-
4"	4.00	9.00	12.00	17.00	18.00	18.31	7.13	6.93	3.35	17.71	9.45	8.46	34.50	55.00	105.00	130.00
DN 100	101.2	228.6	304.8	431.8	457.2	465.0	181.1	176.1	85.1	450.0	240.0	215.0	-	-	-	-
6"	6.00	15.50	15.87	22.00	24.00	21.30	10.3	9.99	3.35	17.71	9.45	10.65	80.00	101.00	211.00	290.00
DN 150	152.4	393.7	403.2	558.8	609.6	541.0	261.8	253.8	85.1	450.0	240.0	270.6	-	-	-	-
8"	8.00	18.00	16.50	26.00	29.00	-	-	16.54	4.92	23.62	12.28	16.54	159.00	-	329.00	-
DN 200	203.2	457.2	419.1	660.4	736.3	-	-	420.0	125.0	600.0	312.0	420.0	-	-	-	-
10"	10.00	21.00	22.37	31.00	-	-	-	17.72	7.87	35.43	16.77	17.72	-	-	610.00	-
DN 250	254.0	533.4	568.3	787.4	-	-	-	450.0	200.0	900.0	426.0	450.0	-	-	-	-
12"	12.00	24.00	25.50	33.00	-	-	-	18.23	7.87	35.43	16.77	18.23	-	522.00	803.00	-
DN 300	304.8	609.6	647.7	838.2	-	-	-	463.0	200.0	900.0	426.0	463.0	-	-	-	-

- Notes:
- Series 600 2" and above trunnion ball. Series 300 10" and above trunnion ball.
 - Above 6" series 150 and 300 - 4" series 600 and 900. Gear box recommended.
 - Series 150-300 2" to 8" trunnion ball optional.
 - Model 84/85 BW ends optional.
 - 1/2-2" models 82/83/84/85 one piece design.

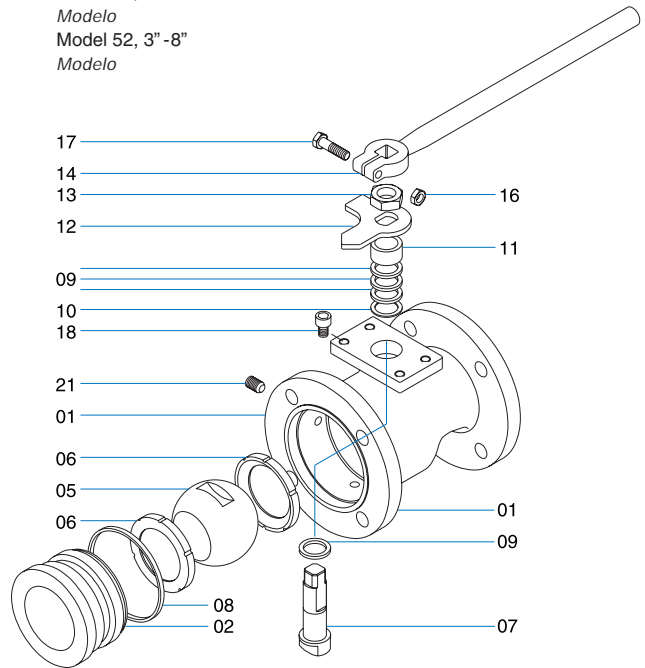
- Notas:
- Serie 600 2" y mayores Esfera Guiada. Serie 300 10" y mayores Esfera Guiada.
 - Mayores a 6" series 150/300 y 4" series 600/900, recomendamos usar caja de engranajes.
 - Serie 150-300 2" a 8" Guiada Opcional.
 - Modelos 84/85 extremos biselados opcional.
 - 1/2"-2" modelos 82/83/84/85 cuerpo enterizo.

Typical valve parts assembly. *Despiece de los componentes.*

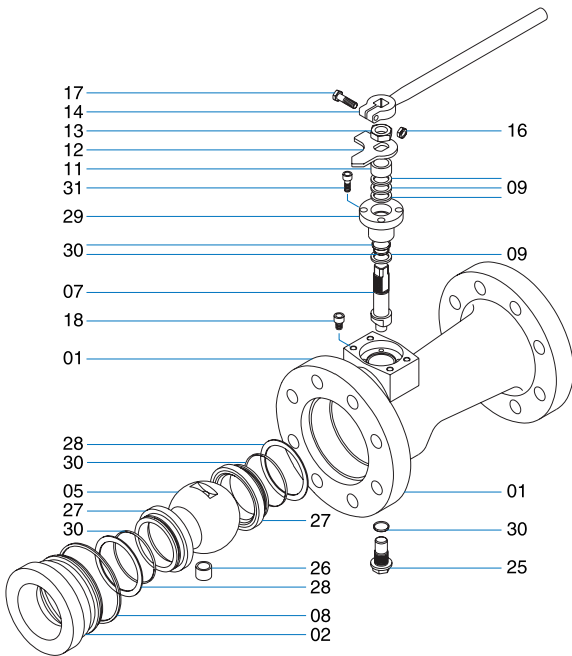
Model 51 / 52, 1" - 2 1/2"
Modelos



Model 51, 3" - 12"
Modelo
Model 52, 3" - 8"
Modelo

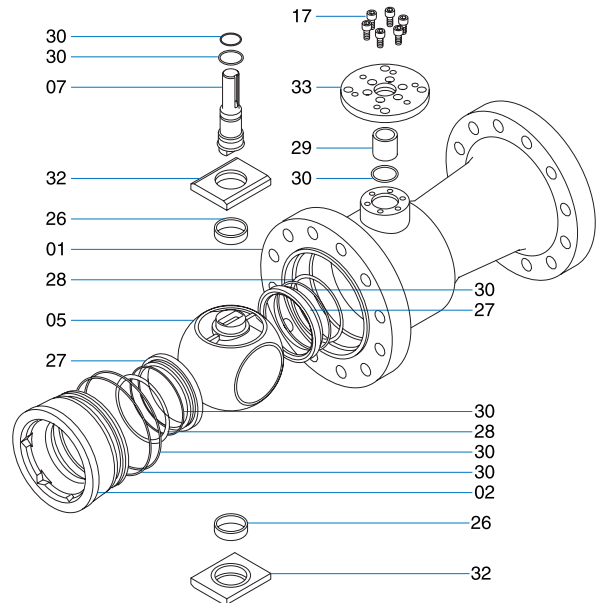


Model 53, 2" - 4"
Modelo



Model 52, 10" - 12"
Modelo

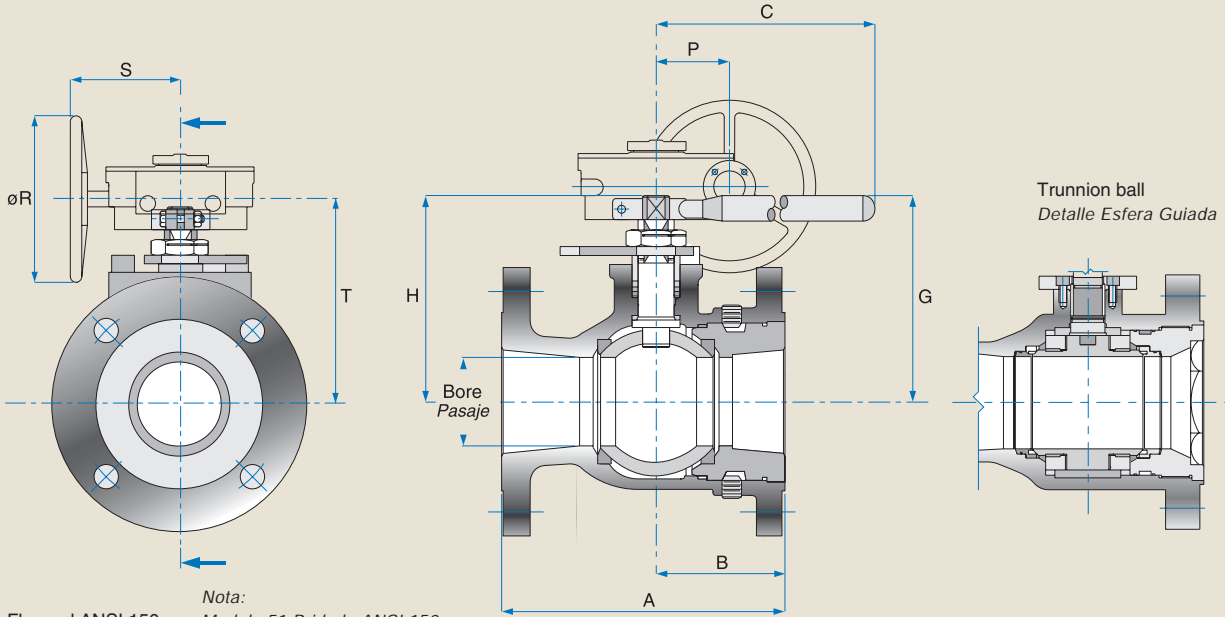
Model 53, 6" to 12". Note: 10" and 12" split body.
Modelo 53, 6" a 12". Nota: 10" y 12" cuerpo partido.



- | | | |
|---------------------|----------------------|----------------------------|
| 01 Body | 12 Stop plate | 25 Inferior trunnion guide |
| 02 End plug | 13 Retaining nuts | 26 Stem seal follower |
| 05 Ball | 14 Wrench / Handle | 27 Seat insert |
| 06 Seat | 16 Hex nut | 28 Spring plate |
| 07 Stem | 17 Hex bolt | 29 Stem seal follower |
| 08 Body seal | 18 Stop screw | 30 O'Ring |
| 09 Thrust bearing | 21 Prisoner washer | 31 Bolt |
| 10 Centering washer | 23 Bellville washers | 32 Trunnion guide |
| 11 Follower | | 33 Upper flange |

- | | | |
|-------------------|-----------------------|-------------------|
| 01 Cuerpo | 13 Tuerca de vástago | 27 Porta asiento |
| 02 Tapón | 14 Palanca | 28 Resorte |
| 05 Esfera | 16 Tuerca | 29 Buje vástago |
| 06 Asiento | 17 Tornillo | 30 O'Ring |
| 07 Vástago | 18 Tornillo tope | 31 Tornillo buje |
| 08 Junta cuerpo | 21 Prisionero | 32 Soporte guía |
| 09 Arandela | 23 Arandela Bellville | 33 Brida superior |
| 10 Arandela inox. | 25 Eje inferior | |
| 11 Separador | 26 Buje | |
| 12 Placa stop | | |

Ball valve, standard bore, one piece design, blowout-proof stem. *Válvula Esférica Bridada de Pasaje Nominal.*



Note: Model 51 Flanged ANSI 150
 Model 52 Flanged ANSI 300
 Model 53 Flanged ANSI 600

Nota: Modelo 51 Bridado ANSI 150
 Modelo 52 Bridado ANSI 300
 Modelo 53 Bridado ANSI 600

Dimensions. Dimensiones.

Size <i>Tamaño</i>	Bore <i>Pasaje</i>	Mod. 51 <i>A</i>	Mod. 51 <i>B</i>	Mod. 52 <i>A</i>	Mod. 52 <i>B</i>	Mod. 53 <i>A</i>	Mod. 53 <i>B</i>	<i>C</i>	<i>G</i>	<i>H</i>	<i>P</i>	$\varnothing R$	<i>S</i>	<i>T</i>	Mod. 51 <i>kg</i>	Mod. 52 <i>kg</i>	Mod. 53 <i>kg</i>
1/2"	*	*	*	*	*	*	*	*	*	*	-	-	-	-	*	*	*
DN 15	*	*	*	*	*	*	*	*	*	*	-	-	-	-	*	*	*
3/4"	*	*	*	*	*	*	*	*	*	*	-	-	-	-	*	*	*
DN 20	*	*	*	*	*	*	*	*	*	*	-	-	-	-	*	*	*
1"	0.75	5.00	2.25	6.50	2.25	*	*	6.50	2.19	2.20	-	-	-	-	3.40	4.50	6.00
DN 25	19.0	127.0	57.1	165.1	57.1	*	*	165.1	55.6	55.8	-	-	-	-	-	-	-
1 1/4"	1.00	5.50	2.43	7.00	2.43	-	-	6.50	2.38	2.38	-	-	-	-	4.20	6.10	-
DN 32	25.4	139.7	61.8	177.8	61.8	-	-	165.1	60.4	60.5	-	-	-	-	-	-	-
1 1/2"	1.19	6.50	2.47	7.50	2.47	*	*	7.50	2.88	2.88	-	-	-	-	5.50	8.00	11.00
DN 40	30.1	165.1	62.7	190.5	62.7	*	*	190.5	73.0	73.2	-	-	-	-	-	-	-
2"	1.44	7.00	2.69	8.50	2.69	11.50	2.67	7.50	3.06	3.06	-	-	-	-	8.50	10.00	15.00
DN 50	36.5	177.8	68.2	215.9	68.2	292.1	67.8	190.5	77.8	77.7	-	-	-	-	-	-	-
2 1/2"	2.00	7.50	2.83	9.50	2.83	13.00	6.50	10.24	5.13	4.60	-	-	-	-	13.00	16.50	28.00
DN 65	50.8	190.5	72.0	241.3	72.0	330.2	165.1	260.0	128.2	116.8	-	-	-	-	-	-	-
3"	2.00	8.00	3.26	11.13	3.26	14.00	3.96	10.24	5.05	4.57	3.35	17.71	9.44	7.20	14.00	21.00	34.00
DN 80	50.8	203.2	82.88	282.6	82.88	355.6	100.6	260.0	128.2	116.1	85.1	450.0	240.0	183.1	-	-	-
4"	3.00	9.00	4.00	12.00	4.00	17.00	4.50	18.31	6.32	6.13	3.35	17.71	9.44	7.85	28.00	39.00	58.00
DN 100	76.2	228.6	101.6	304.8	101.6	431.8	114.2	465.0	160.6	155.6	85.1	450.0	240.0	199.4	-	-	-
6"	4.00	10.50	4.26	15.88	4.26	22.00	11.00	18.31	7.13	6.74	3.35	17.71	9.44	9.55	45.00	66.00	169.00
DN 150	101.6	266.7	108.1	403.2	108.1	558.8	279.4	465.0	181.1	171.1	85.1	450.0	240.0	242.8	-	-	-
8"	6.00	11.50	5.69	16.50	5.69	26.00	13.00	21.3	10.2	10.00	3.35	17.71	9.44	10.65	74.00	113.00	204.00
DN 200	152.4	292.1	144.6	419.1	144.6	660.4	330.2	541.0	259.0	254.0	85.1	450.0	240.0	270.6	-	-	-
10"	7.37	13.00	7.13	18.00	7.13	31.00	15.50	-	-	13.78	4.92	23.62	12.28	13.78	108.00	-	412.00
DN 250	187.3	330.2	181.0	457.2	181.0	787.4	393.7	-	-	350.0	125.0	600.0	312.0	350.0	-	-	-
12"	8.00	14.00	7.00	25.50	12.75	33.00	16.50	-	-	15.0	4.92	23.62	12.28	15.00	151.00	-	476.00
DN 300	203.2	355.6	177.8	647.7	323.9	838.2	419.0	-	-	380.0	125.0	600.0	312.0	380.0	-	-	-
14"	10.50	27.00	13.50	30.00	15.00	35.00	17.50	-	-	18.27	4.92	23.62	12.28	18.27	-	-	-
DN 350	267.0	685.8	342.9	762.0	381.0	889.0	444.5	-	-	464.0	125.0	600.0	312.0	464.0	-	-	-
16"	12.00	30.00	15.00	33.00	16.50	-	-	-	-	17.91	4.92	23.62	12.28	17.91	-	-	-
DN 400	304.8	762.0	381.0	838.2	419.1	-	-	-	-	455.0	125.0	600.0	312.0	455.0	-	-	-

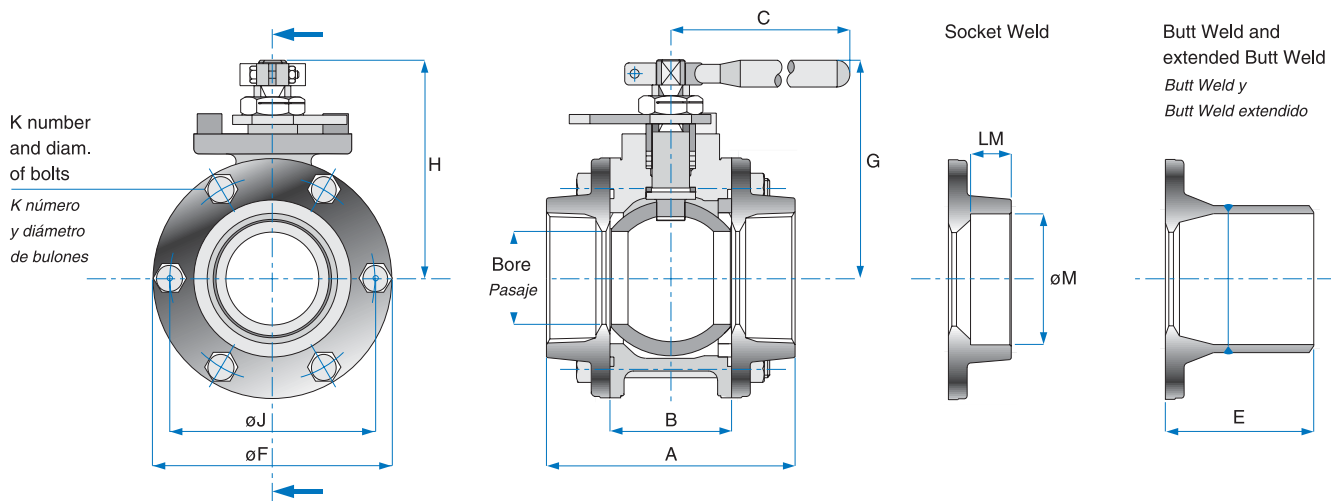
* Similar to 82/83/84/85 Flanged full bore. * Ver modelos 82/83/84/85 Bridada Paso Total (igual).

Notes:

- 1) Series 600 2" and above trunnion ball.
 Series 300 10" and above trunnion ball.
- 2) Above 8" series 150 - 6" "serie 300 and 4"
 series 600, gear box recommended.

Notas:

- 1) Serie 600 2" y mayores Esfera Guiada.
 Serie 300 10" y mayores Esfera Guiada.
- 2) Mayores a 8" serie 150, 6" serie 300 y 4" serie
 600, recomendamos usar caja de engranajes.



Model 45. Modelo 45.

Ball valve, three piece design, standard bore, blowout -proof stem. Válvula Esférica de Pasaje Nominal, de 3 Piezas con Vástago Inexpulsable.

Dimensions. Dimensiones.

Size Tamaño	Bore Pasaje	A	B	C	E	øF	G	H	øJ	K	øM	LM	kg
2 1/2"	2.00	5.86	2.86	10.24	5.13	5.82	5.13	4.60	4.90	6 x 7/16	2.90	1.18	6.45
DN 65	50.8	148.7	72.7	260.0	130.3	148.0	128.2	116.8	125.0	UNF	73.8	30.0	
3"	2.50	6.67	3.28	18.31	5.20	6.44	5.90	5.70	5.50	6 x 1/2	3.53	1.3	13.60
DN 80	63.5	169.3	83.3	465.0	132.2	163.5	150.0	144.8	139.7	UNF	89.8	33.0	
4"	3.25	8.42	4.28	18.31	5.39	8.12	6.52	6.32	6.88	8 x 9/16	4.54	1.57	22.80
DN 100	82.5	213.8	108.8	465.0	136.9	206.4	165.5	160.5	174.6	UNF	115.4	39.8	
6"	4.38	11.74	5.75	21.30	6.13	11.13	9.22	8.90	9.38	8 x 3/4	6.65	1.97	36.40
DN 150	111.1	298.1	146.1	541.0	155.6	282.6	234.2	226.2	238.1	UNF	169.0	50.0	

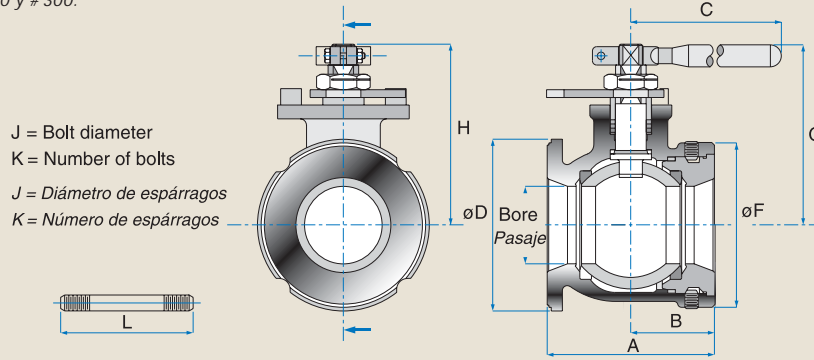
Model 59. Modelo 59.

Ball valve, three piece design, full bore, blowout -proof stem. Válvula Esférica de Pasaje Total, de 3 Piezas con Vástago Inexpulsable.

Dimensions. Dimensiones.

Size Tamaño	Bore Pasaje	A	B	C	E	øF	G	H	øJ	K	øM	LM	kg
2"	2.00	5.61	2.86	10.24	5.13	5.82	5.13	4.60	4.90	6 x 7/16"	2.41	0.84	6.45
DN 50	50.8	142.7	72.7	260.0	130.3	148.0	128.2	116.8	125.0	UNF	61.1	21.3	
2 1/2"	2.50	6.15	3.28	18.31	4.88	6.44	5.90	5.70	5.51	6 x 1/2"	2.90	1.18	13.60
DN 65	63.5	156.3	83.3	465.0	124.0	163.5	150.0	144.8	140.0	UNF	73.8	30.0	
3"	3.25	7.55	4.28	18.31	4.72	8.12	6.52	6.32	6.87	8 x 9/16"	3.53	1.30	22.80
DN 80	82.5	191.8	108.8	465.0	119.8	206.4	165.5	160.52	174.5	UNF	89.8	33.0	
4"	4.38	11.73	5.75	21.30	4.65	11.13	9.22	8.90	9.37	8 x 3/4"	4.54	1.57	36.40
DN 100	111.1	298.1	146.0	541.0	118.2	282.6	234.2	226.2	238.1	UNF	115.4	39.8	

Ball valve, flangeless short pattern design. Wafer for # 150 & # 300 flanges standard bore. *Válvula Esférica Modelo Corto para Colocar entre Bridas # 150 y # 300.*



J = Bolt diameter
 K = Number of bolts
 J = Diámetro de espárragos
 K = Número de espárragos

Dimensions. Dimensiones.

Size	Bore	A	B	C	øD	øF	G	H	# 150	# 150	# 150	# 300	# 300	# 300	kg
Tamaño	Pasaje								J	K	L	J	K	L	
3"	2.50	4.50	2.25	18.31	5.88	5.31	5.90	5.70	0.62	4.00	8.12	0.75	8.00	8.75	8.00
DN 80	63.5	114.3	57.2	465.0	149.4	134.9	150.0	144.8	15.8		206.3	19.1		222.3	
4"	3.25	5.81	2.90	18.31	7.50	6.81	6.52	6.32	0.62	8.00	9.44	0.75	8.00	10.31	15.50
DN 100	82.6	147.6	73.7	465.0	190.5	173.0	165.5	160.5	15.8		239.8	19.1		261.9	
6"	4.38	7.38	3.69	21.30	9.88	8.69	9.22	8.90	0.75	8.00	11.38	0.75	12.00	12.25	30.00
DN 150	111.3	187.5	93.7	541.0	251.0	220.7	234.2	226.2	19.1		289.1	19.1		311.2	

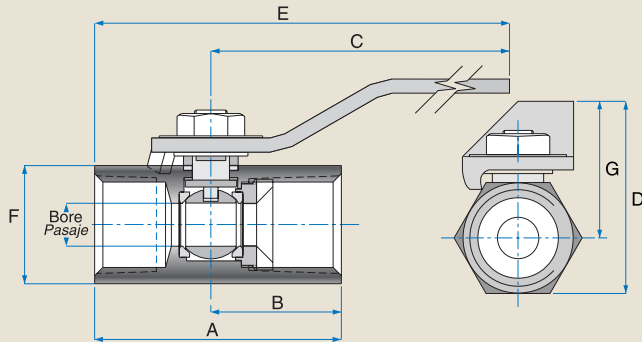
Note: screwed plug on request.

Nota: opcional con tapón roscado.

MODEL 58 MODELO 58

Ball valve, reduced bore, one piece screwed.

Modelo Económico (400 WOG) Roscado.



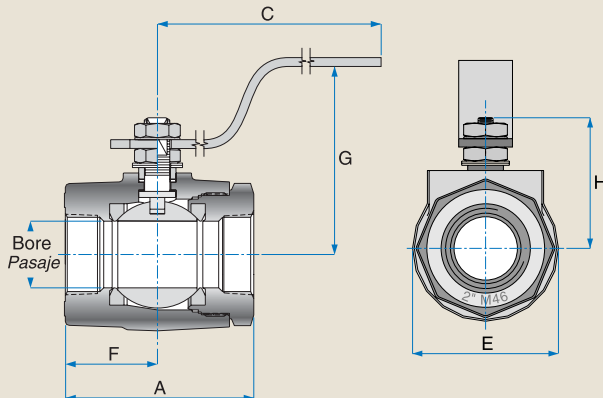
Dimensions. Dimensiones.

Size	Bore	A	F	G	D	C	E	B	kg
Tamaño	Pasaje								
1/4"	0.364	1.95	1.00	1.25	1.75	3.78	4.64	1.09	0.25
DN 8	9.25	49.53	25.4	31.75	44.45	96.01	117.86	27.69	
3/8"	0.364	1.95	1.00	1.25	1.75	3.78	4.64	1.09	0.25
DN 10	9.25	49.53	25.4	31.75	44.45	96.01	117.86	27.69	
1/2"	0.364	2.09	1.00	1.25	1.75	3.78	4.76	1.11	0.20
DN 15	9.25	53.09	25.4	31.75	44.45	96.01	120.90	28.19	
3/4"	0.500	2.28	1.19	1.36	1.95	3.78	4.90	1.16	0.30
DN 20	12.7	57.91	30.23	34.54	49.53	96.01	124.46	29.46	
1"	0.625	2.74	1.50	1.46	2.21	3.78	5.24	1.38	0.50
DN 25	15.87	69.59	38.10	37.08	56.13	96.01	133.10	35.05	

MODEL 43 / 46 MODELOS 43 / 46

Ball valve, series 600/900 screwed plug.

Cuerpo Enterizo (1500/2000 WOG) Roscado.



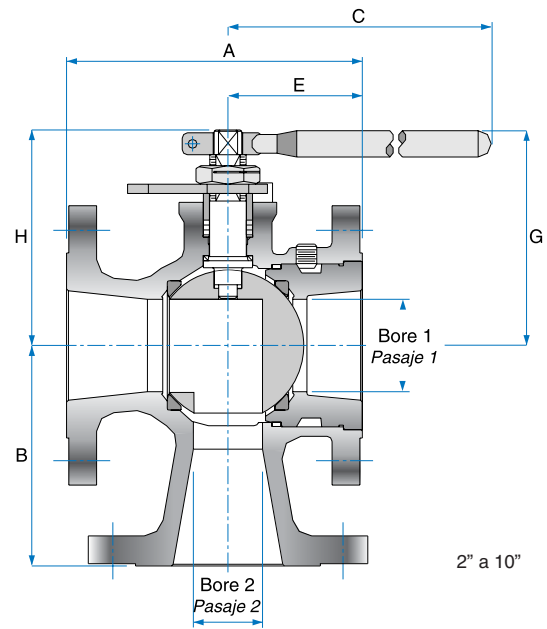
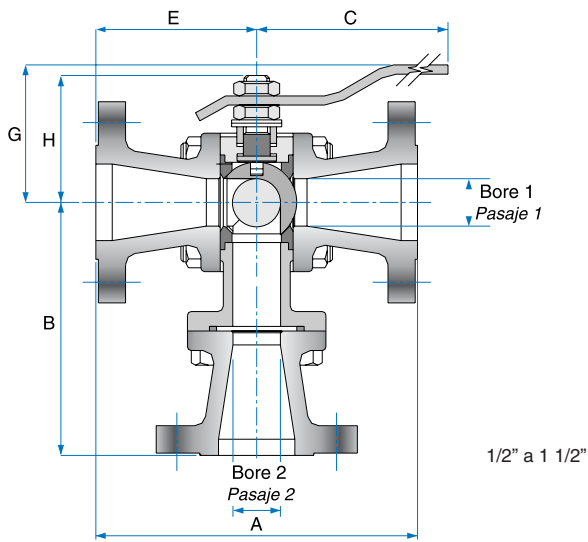
Dimensions. Model 43 - Standard Bore. Dimensiones. Modelo 43 - Paso Reducido.

Size	Bore	A	H	G	C	E	F	kg
Tamaño	Pasaje							
2"	1.50	4.98	3.06	3.31	7.00	3.62	2.26	4.50
DN 50	38.10	126.49	77.72	84.07	177.80	92.0	57.5	
2 1/2"	2.00	5.65	4.61	5.51	10.2	4.33	2.95	9.50
DN 65	50.8	143.4	117.1	140.0	260.0	110.0	75.0	

Dimensions. Model 46 - Full Bore. Dimensiones. Modelo 46 - Paso total.

Size	Bore	A	H	G	C	E	F	kg
Tamaño	Pasaje							
1 1/2"	1.50	4.98	3.06	3.31	7.00	3.62	2.26	5.00
DN 40	38.10	126.49	77.72	84.07	177.80	92.0	57.5	
2"	2.00	5.65	4.61	5.51	10.2	4.33	2.95	9.50
DN 50	50.8	143.4	117.1	140.0	260.0	110.0	75.0	

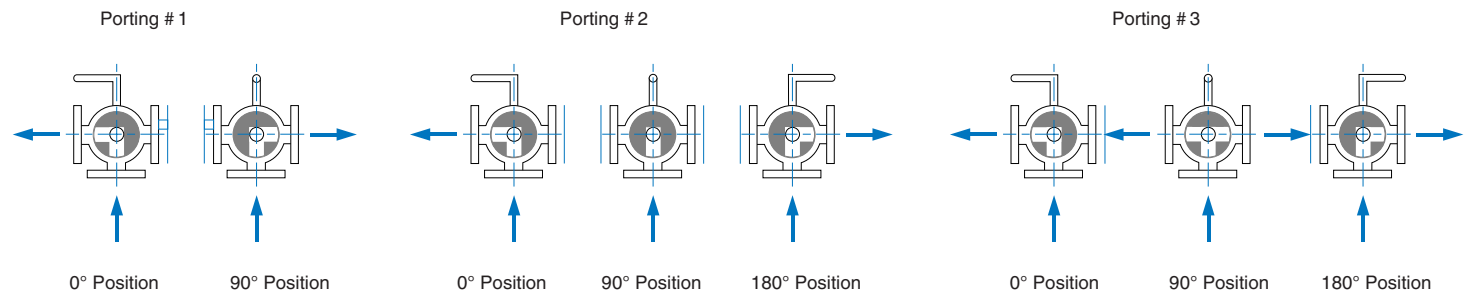
Ball valve, three way - T 51 Flanged ANSI 150 - T 52 Flanged ANSI 300.
 Válvula Esférica Tres Vías Bridada - T 51 Bridada ANSI 150 - T 52 Bridada ANSI 300.



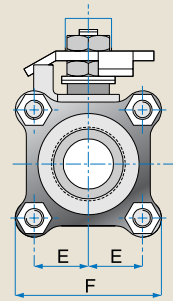
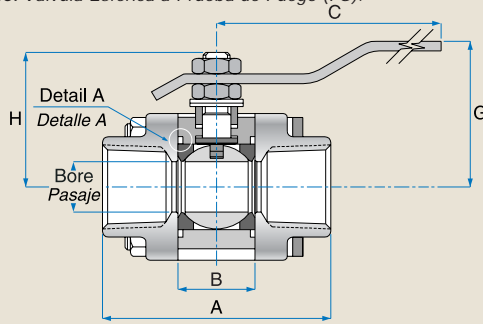
Dimensions. Dimensiones.

Size Tamaño	Bore 1 Pasaje 1	Bore 2 Pasaje 2	Mod. 51 A	Mod. 51 B	Mod. 51 E	Mod. 52 A	Mod. 52 B	Mod. 52 E	H	G	C	Mod. 51 kg	Mod. 52 kg
1/2"	0.437	0.437	4.28	3.52	2.12	5.50	4.15	2.75	1.69	3.54	4.50	2.50	3.50
DN 15	11.1	11.1	107.9	89.6	53.9	139.7	105.5	69.8	42.8	90.0	114.3	-	-
3/4"	0.562	0.562	4.62	3.71	2.31	6.00	4.40	3.00	1.69	3.54	4.50	3.20	4.80
DN 20	14.3	14.3	117.4	94.4	58.7	152.4	111.9	76.2	42.8	90.0	114.3	-	-
1"	0.811	0.811	5.00	4.07	2.50	6.50	4.83	3.25	2.20	4.37	5.75	4.60	6.50
DN 25	20.6	20.6	127.0	103.6	63.5	165.2	122.7	82.6	55.8	111.0	146.0	-	-
1 1/4"	1.25	1.25	5.50	4.59	2.75	7.00	5.34	3.50	2.88	4.60	7.00	8.40	12.50
DN 32	31.8	31.8	139.8	116.6	69.9	178.0	135.7	88.9	73.2	117.0	178.0	-	-
1 1/2"	1.25	1.25	6.50	5.09	3.25	7.49	5.59	3.75	2.88	4.60	7.00	8.40	12.50
DN 40	31.8	31.8	165.2	129.4	82.6	190.3	142.0	95.2	73.2	117.0	178.0	-	-
2"	1.50	1.50	7.00	5.00	2.68	8.50	5.51	2.68	3.06	4.80	7.00	12.00	16.50
DN 50	38.1	38.1	177.8	127.0	68.1	215.9	140.0	68.1	77.7	122.0	178.0	-	-
2 1/2"	2.00	2.00	7.50	5.00	2.83	9.50	5.89	4.75	4.60	5.13	10.24	20.00	21.00
DN 65	50.8	50.8	190.5	127.0	72.0	241.3	149.7	120.6	116.8	128.2	260.0	-	-
3"	2.50	2.00	8.00	6.00	3.63	11.12	6.50	3.62	5.70	5.90	18.31	23.60	32.00
DN 80	63.5	50.8	203.2	152.4	92.2	282.6	165.1	92.1	144.8	150.0	465.0	-	-
4"	3.25	2.50	9.00	7.13	4.00	12.00	8.00	4.00	6.32	6.52	18.31	36.60	52.00
DN 100	82.5	63.5	228.6	181.1	101.6	304.8	203.2	101.6	160.5	165.5	465.0	-	-
6"	4.38	3.00	10.50	9.75	4.25	-	-	-	8.90	9.22	21.30	62.50	-
DN 150	111.25	76.2	266.7	247.6	107.9	-	-	-	226.2	234.2	541.0	-	-
8"	5.69	4.00	11.50	11.00	5.69	-	-	-	10.00	10.31	21.30	92.50	-
DN 200	144.5	101.6	292.1	279.4	144.6	-	-	-	254.0	262.0	541.0	-	-
10"	7.36	6.00	13.00	12.00	7.13	-	-	-	13.00	12.18	-	-	-
DN 250	187.0	152.4	330.2	304.8	181.0	-	-	-	330.2	309.3	-	-	-

Model T 44/T 51/T 52. Modelos T 44/T 51/T 52.

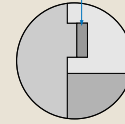


HP 44 Ball valve, high pressure service. *Válvula Esférica Alta Presión (HP).*
 FS 44 Ball valve, fire safe. *Válvula Esférica a Prueba de Fuego (FS).*



Detail A (only for FS 44)
 Detalle A (sólo para modelo FS 44)

Graphoil Gasket
 Junta de Graphoil



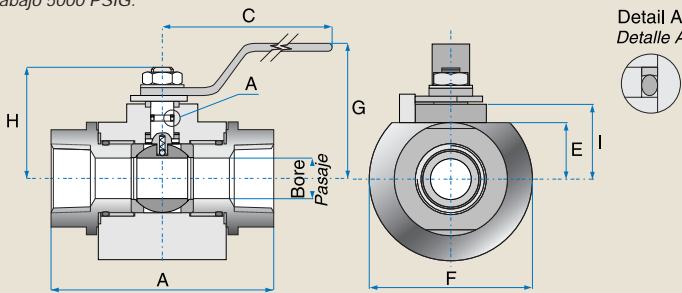
Screwed, socket or BW ends
 Extremos roscados para soldar a tope o enchufe

Dimensions. Dimensiones.

Size Tamaño	Bore Pasaje	A	B	H	G	C	F	E	Working pressure Presión de trabajo (PSIG)		
									HP	FS	kg
1/4"	0.44	2.25	0.81	1.50	1.81	4.25	1.74	0.62	4000	2000	0.50
DN 8	11.18	57.1	20.6	38.1	46.0	107.9	44.4	15.8	4000	2000	0.50
3/8"	0.44	2.25	0.81	1.50	1.81	4.25	1.74	0.62	4000	2000	0.50
DN 10	11.18	57.1	20.6	38.1	46.0	107.9	44.4	15.8	4000	2000	0.50
1/2"	0.44	2.57	0.81	1.50	1.81	4.25	1.74	0.62	4000	2000	0.50
DN 15	11.18	65.3	20.6	38.1	46.0	107.9	44.4	15.8	4000	2000	0.70
3/4"	0.56	2.79	0.97	1.59	1.87	4.25	2.00	0.75	4000	2000	0.70
DN 20	14.22	70.9	24.6	40.5	47.6	107.9	50.8	19.0	3000	2000	1.50
1"	0.81	3.69	1.25	2.19	2.40	5.74	2.37	0.87	3000	2000	1.50
DN 25	20.57	93.7	31.7	55.6	61.1	146.0	60.3	22.2	3000	2000	2.0
1 1/4"	1.00	4.19	1.62	2.37	2.59	5.74	2.62	1.00	3000	2000	2.0
DN 32	25.40	106.4	41.3	60.3	65.9	146.0	66.6	25.40	3000	2000	3.0
1 1/2"	1.25	4.53	1.90	2.87	3.12	10.0	3.00	1.12	3000	2000	3.0
DN 40	31.75	115.1	48.4	73.0	79.4	254.0	76.2	28.5	3000	2000	4.0
2"	1.50	4.98	2.22	3.06	3.31	10.0	3.37	1.31	3000	2000	4.0
DN 50	38.10	126.5	56.3	77.8	84.1	254.0	85.7	33.3			

MODEL 15 MODELO 15

High pressure ball valve (HP) Fire safe (FS) Antistatic - Standard bore
 Screwed ends (NPT, BSPT, BSP, SW, extended BW) Working pressure 5000 PSIG.
Válvula Esférica para Alta Presión (HP) A Prueba de Fuego (FS) Antiestática - Pasaje Nominal - Extremo Roscado (NPT, BSPT, BSP, SW, BW prolongado) Presión de Trabajo 5000 PSIG.

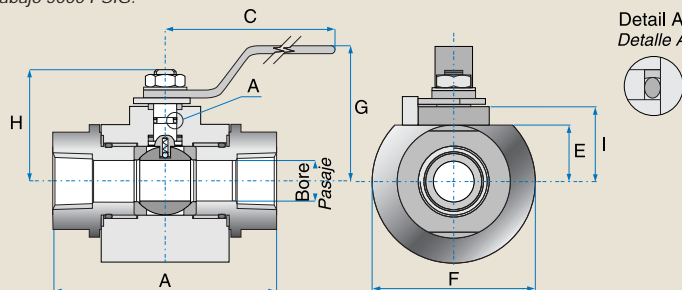


Dimensions. Dimensiones.

Size Tamaño	Bore Pasaje	A	C	E	F	G	H	I	kg
3/4"	0.56	4.33	5.83	0.81	2.44	1.99	1.81	1.08	1.8
DN 20	14.3	110.0	148.0	20.5	62.0	50.5	45.9	27.5	1.8
1"	0.81	5.08	6.91	1.1	2.97	2.41	2.36	1.38	3.0
DN 25	20.6	129.0	175.5	28.0	75.5	61.25	60.0	35.0	3.0
1 1/4"	1.00	5.63	6.91	1.29	3.42	2.60	2.55	1.57	4.5
DN 32	25.4	143.0	175.5	32.8	87.0	66.0	64.8	39.8	4.5
1 1/2"	1.25	6.70	6.91	1.47	3.71	2.78	2.73	1.75	6.8
DN 40	31.8	170.0	175.5	37.4	94.2	70.7	69.4	44.4	6.8

MODEL 19 MODELO 19

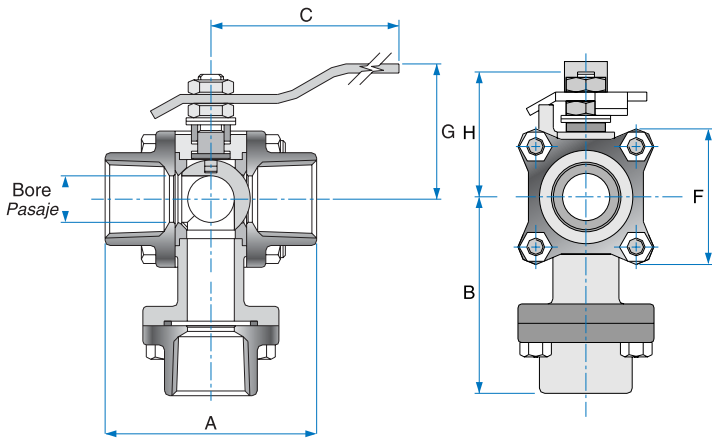
High pressure ball valve (HP) Fire safe (FS) Antistatic - Full bore
 Screwed ends (NPT, BSPT, BSP, SW, extended BW) Working pressure 5000 PSIG.
Válvula Esférica para Alta presión (HP) A Prueba de Fuego (FS) Antiestática - Pasaje Total - Extremo Roscado (NPT, BSPT, BSP, SW, BW prolongado) Presión de Trabajo 5000 PSIG.



Dimensions. Dimensiones.

Size Tamaño	Bore Pasaje	A	C	E	F	G	H	I	kg
1/4"	0.56	3.40	5.83	0.81	2.44	1.99	1.81	1.08	1.8
DN 8	14.3	86.5	148.0	20.5	62.0	50.5	45.9	27.5	1.8
3/8"	0.56	3.56	5.83	0.81	2.44	1.99	1.81	1.08	1.8
DN 10	14.3	90.5	148.0	20.5	62.0	50.5	45.9	27.5	1.8
1/2"	0.56	4.33	5.83	0.81	2.44	1.99	1.81	1.08	1.8
DN 15	14.3	110.0	148.0	20.5	62.0	50.5	45.9	27.5	1.8
3/4"	0.81	5.08	6.91	1.10	2.97	2.41	2.36	1.38	3.0
DN 20	20.6	129.0	175.5	28.0	75.5	61.25	60.0	35.0	3.0
1"	1.00	5.63	6.91	1.29	3.42	2.60	2.55	1.57	4.5
DN 25	25.4	143.0	175.5	32.8	87.0	66.0	64.8	39.8	4.5
1 1/4"	1.25	6.70	6.91	1.47	3.71	2.78	2.73	1.75	6.8
DN 32	31.8	170.0	175.5	37.4	94.2	70.7	69.4	44.4	6.8

Ball valve, three way - Porting # 1, 2, 3.
Válvula Esférica Tres Vías - Porting # 1-2-3.



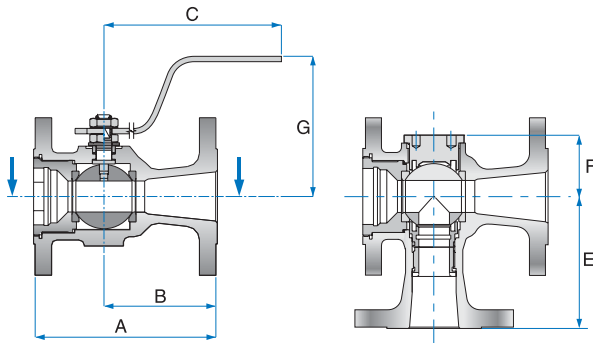
Dimensions. Dimensiones.

Size	Bore	A	B	H	G	C	F	kg
Tamaño	Pasaje							
1/4"	0.44	2.79	2.80	1.59	1.81	4.44	1.75	1.20
DN 8	11.2	70.7	71.1	40.4	46.0	112.8	44.5	
3/8"	0.44	2.79	2.80	1.59	1.81	4.44	1.75	1.20
DN 10	11.2	70.7	71.1	40.4	46.0	112.8	44.5	
1/2"	0.44	2.79	2.80	1.69	1.88	4.44	2.00	1.20
DN 15	11.2	70.7	71.1	42.8	47.8	112.8	50.8	
3/4"	0.56	2.79	2.80	1.69	1.88	4.44	2.00	1.20
DN 20	14.2	70.7	71.1	42.8	47.8	112.8	50.8	
1"	0.81	3.72	3.44	2.20	2.44	5.75	2.38	2.00
DN 25	20.6	94.5	87.4	55.8	62.0	146.1	60.5	
1 1/4"	1.00	4.52	4.11	2.88	3.12	5.75	3.00	3.90
DN 32	25.4	114.9	104.3	73.2	79.3	146.1	76.2	
1 1/2"	1.25	4.52	4.11	2.88	3.12	7.00	3.00	3.90
DN 40	31.8	114.9	104.3	73.2	79.3	177.8	76.2	
2"	1.50	5.73	5.46	3.06	3.31	7.00	3.38	5.00
DN 50	38.1	126.4	138.7	77.7	84.1	177.8	85.9	

Portings detailed in page 13. Ver Porting en página 13.

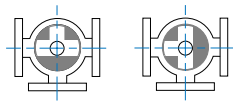
MODEL 17 MODELO 17

Ball valve, three way lateral, "T" port; "L" port.
Válvula Esférica Tres Vías Bridada S-150 "T" Port, "L" Port Salida Lateral.

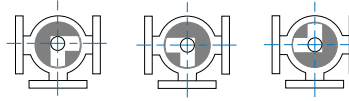


Dimensions. Dimensiones.

Size	Bore	A	E	B	C	G	F	kg
Tamaño	Pasaje							
1 1/2"	0.94	6.50	4.00	3.65	6.65	2.88	1.97	9.00
DN 40	24.0	165.1	101.6	92.6	169.0	73.0	50.0	
2"	1.18	7.00	5.00	4.32	6.65	5.82	2.31	14.00
DN 50	30.0	177.8	127.0	109.8	169.0	148.0	58.7	
3"	1.97	8.00	6.00	4.36	18.30	5.82	3.26	25.00
DN 75	50.0	203.2	152.4	110.9	465.0	148.0	83.0	
4"	2.95	9.00	7.13	4.00	18.30	8.93	4.33	39.00
DN 100	76.0	228.6	181.1	101.6	465.0	227.0	110.0	
6"	3.97	10.50	9.74	4.24	21.30	8.93	5.25	68.00
DN 150	101.0	266.7	247.6	107.9	541.0	227.0	133.3	



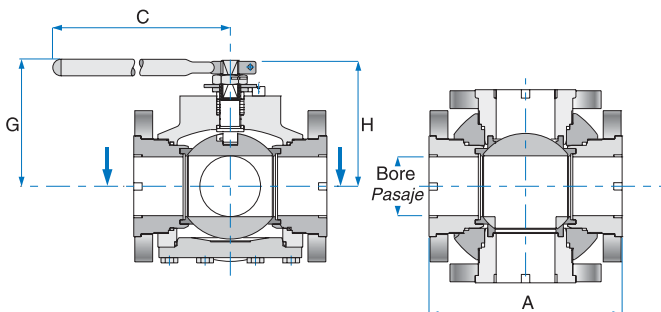
Porting 3 option 90° "T" Ball.
 Porting 3 Opción 90°
 Pasajes de la esfera "T".



Porting 2 option 180°
 "L" Ball.
 Porting 2 Opción 180°
 Pasajes de la esfera "L".

MODEL 18 MODELO 18

Ball valve, four way, lateral port - Flanges # 150, # 300 RF & # 600 RF porting 'T' & 'L'. Full port.
Válvula Esférica 4 Vías, Pasaje Total - Extremos Bridados, ANSI 150 y 300. Pasaje en "T" y "L".



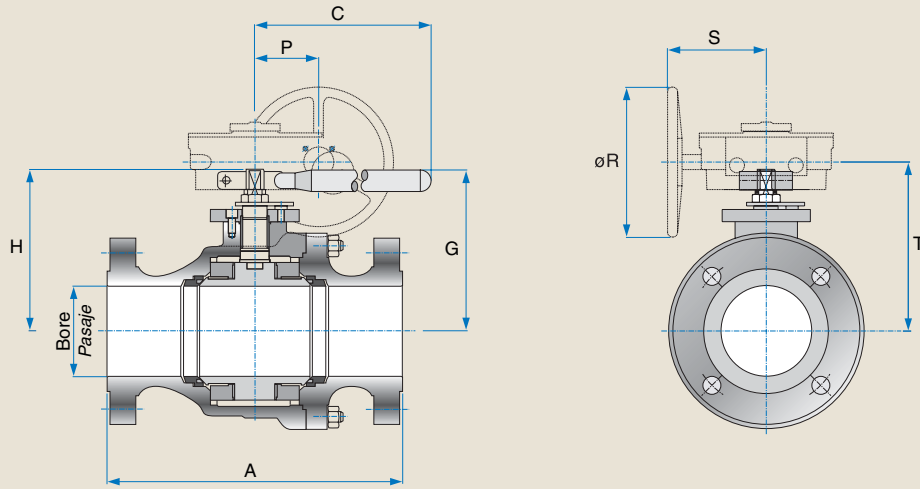
Dimensions. Dimensiones.

Size	Bore	A	C	G	H	kg
Tamaño	Pasaje					
1"	0.94	5.00	5.83	4.65	2.87	7.00
DN 25	24.0	127.0	148.0	118.0	73.0	
1 1/2"	1.46	6.50	8.27	5.47	4.37	12.00
DN 40	37.0	165.0	210.0	139.0	111.0	
2"	1.93	7.99	10.24	5.83	4.72	19.00
DN 50	49.0	203.0	260.0	148.0	120.0	
3"	2.95	9.61	18.31	6.26	6.26	47.00
DN 80	75.0	244.0	465.0	159.1	159.1	
4"	3.86	12.01	18.31	10.83	8.62	84.00
DN 100	98.0	305.0	465.0	275.0	219.0	
6"	5.83	15.51	21.30	12.28	10.08	160.00
DN 150	148.0	394.0	541.0	312.0	256.0	

Note: Flanges with threaded holes.
 Nota: las bridas de esta válvula tienen agujeros roscados.

Ball valve, flanged 1500, full port.

Válvula Esférica Bridada de Pasaje Total, ANSI 1500.



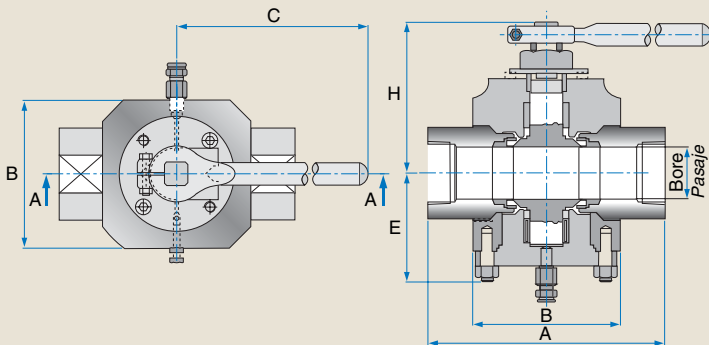
Dimensions. Dimensiones.

Size Tamaño	Bore Pasaje	A	C	G	H	P	øR	S	T	kg
2"	2.00	14.63	21.30	7.87	7.87	-	-	-	-	
DN 50	50.8	371.5	541.0	200.0	200.0					
3"	3.00	18.62	-	-	9.23	3.35	17.71	9.45	9.23	109
DN 80	76.2	473.1			234.5	85.1	450.0	240.0	234.5	
4"	4.00	21.63	-	-	11.18	3.35	17.71	9.45	11.18	170
DN 100	101.2	549.3			284.0	85.1	450.0	240.0	284.0	
6"	6.00	28.00	-	-	12.60	3.76	17.71	9.45	12.60	
DN 150	152.4	711.2			320.0	95.5	450.0	240.0	320.0	

MODEL 92 MODELO 92

High pressure, fire safe, and antistatic ball valves full bore, integral ball and stem. 3000 PSI trunnion mount w/ ball bearings screwed socked ends.

Válvula Esférica de Alta presión (HP) a prueba de fuego (FS) antiestática. Esfera y vástago integral - Guiada con rodamientos. Pasaje Total - extremos roscados (NPT, BSPT, BSP - SW y BW prolongado). Presión de trabajo 3000 PSI



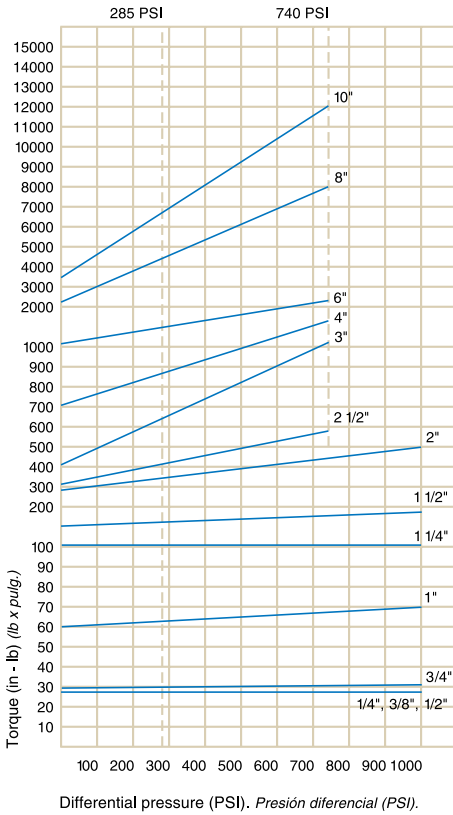
Dimensions. Dimensiones.

Size Tamaño	Bore Pasaje	A	B	C	E	H	kg
1 1/2"	1.50	8.00	4.84	18.30	3.62	5.55	22.00
DN 40	38.1	203.0	123.0	465.0	92.0	141.0	
2"	2.00	8.18	5.51	18.30	5.20	6.173	34.00
DN 50	50.8	208.0	140.0	465.0	132.0	156.8	
2 1/2"	2.50	11.30	7.08	21.30	5.21	7.18	58.00
DN 65	63.5	287.0	180.0	541.0	132.5	182.5	
3"	3.00	11.76	8.03	21.30	6.88	7.91	92.00
DN 80	76.2	298.9	204.0	541.0	175.0	201.0	
4"	4.00	14.05	10.11	27.55	8.07	10.15	180.00
DN 100	101.6	357.0	257.0	541.0	205.0	258.0	

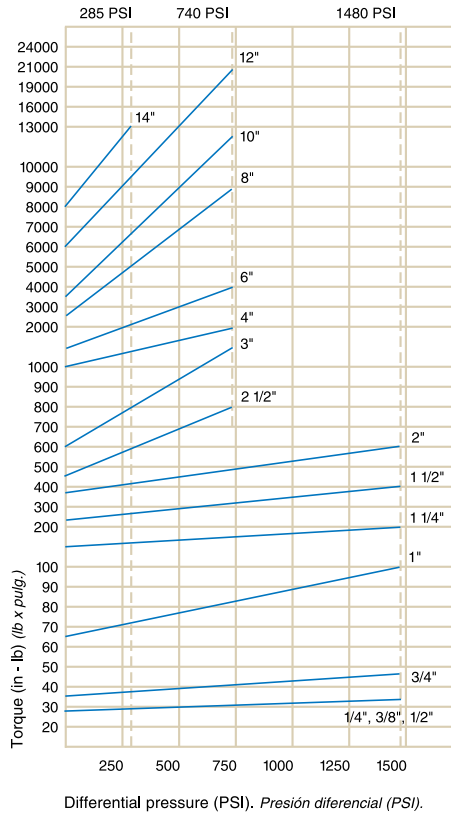
Differential pressure torque curves for standard bore valves with floating ball.

Curvas de Torque- Presión diferencial para válvulas con Esfera Flotante y Pasaje Nominal.

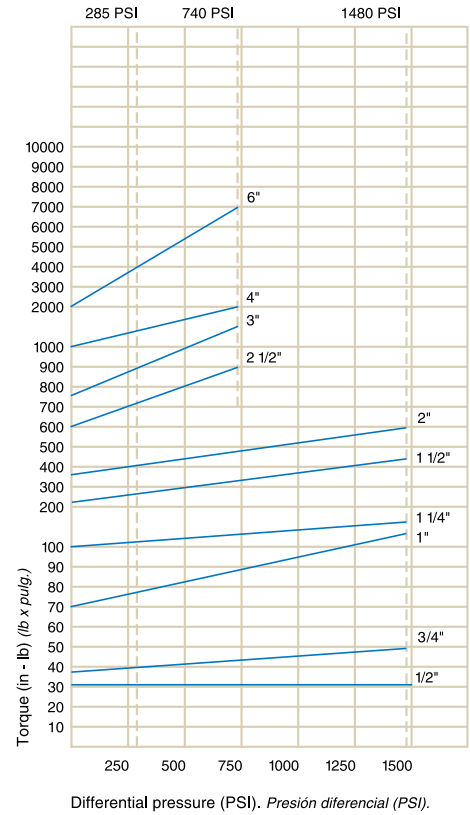
PTFE seats. Asientos PTFE.



Reinforced PTFE seats. Asientos R-PTFR.

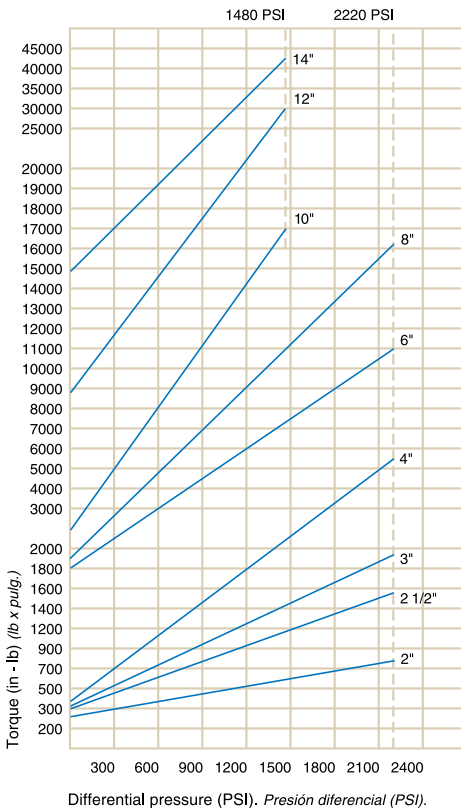


Cfill seats. Asientos Cfill.



Torque curve for standard bore trunnion valves with metal seat w/nylon insert.

Curvas de Torque- Presión diferencial para válvulas Pasaje Nominal y Asientos inox. c/inserto de Nylon con Esfera Guiada.



The torque for full port valves is obtained by using the torque of one size larger diameter of a standard port valve.

El torque para válvulas de paso total se obtiene tomando una válvula de un diámetro mayor de una válvula de paso nominal.

Torque calculation

These graphics give torque in function of differential pressure and diameter where the valves are in closed position and operating with clean fluid. According to operating fluid apply the following correction factor:

Determinación del Torque

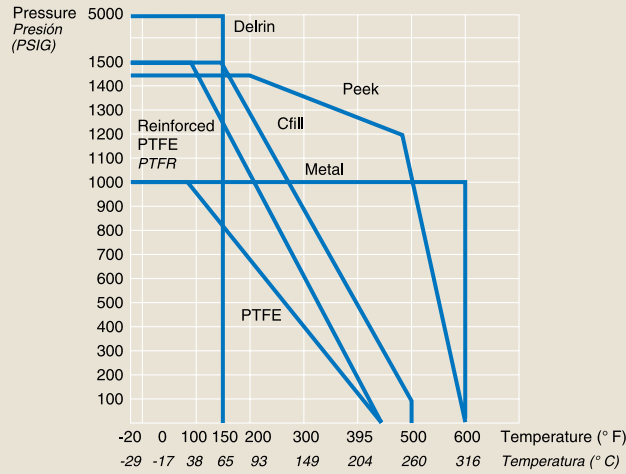
Los presentes gráficos nos dan el torque en función de la presión diferencial y el diámetro, considerando la válvula en posición cerrada, y operando con un fluido limpio.

De acuerdo al fluido a operar, este torque se deberá multiplicar por uno de los siguientes factores:

Media. Fluido.	Factor
Oils, lubrication media (70°F -350°F) Aceites, lubricantes (21° C / 77° C)	0.8
Liquid, clean. Líquido limpio. Liquid, dirty (slurry), raw water. Líquido sucio (lechadas), agua sin tratar	1.0 1.8
Gas, clean and wet Gas limpio y húmedo	1.0
Gas, dry. Gas seco	1.3
Gas, dirty. Gas sucio.	1.5
Chlorine. Cloro.	1.5

Note: for valves operated less than twice a day use factor 1.2.
Nota: para operadas menos de 2 veces al día use factor 1.2.

Pressure - Temperature curves.
Curvas de Presión - Temperatura.



CV data. Coeficiente de Flujo (aprox.).

Std. bore max CV. Paso Nominal Máximo C_v

Size. Tamaño válvula.	1/2"	3/4"	1"	1 1/2"	2"	3"	4"	6"	8"	10"	12" x 8"	12" x 10"	14"
Max CV (USGPM). Máximo C _v (USGPM).	7	10	30	89	130	400	720	1020	1800	2970	5200	8120	8840

Full bore max CV. Paso Total Máximo C_v

Size. Tamaño válvula.	1/2"	3/4"	1"	1 1/2"	2"	2 1/2"	3"	4"	6"	8"	10"	12"
Máx CV (USGPM). Máximo C _v (USGPM).	32	54	105	275	460	780	1330	2420	5400	10000	18500	26800

Applicable international standards. Normas Internacionales Aplicables.

		Applicable to: Aplicables en:	Size. Tamaño.
Nace MR -01 -75	Sour service sulfide. Válvulas que requieren especial resistencia al ataque del craqueo sulfídrico.	26 - 27 - 44 - 45 - 50 - 51 - 52 53 - 59 - 82 - 83 - 84 - 85	1/2" - 16"
BS 5146	Inspection and tests. Inspección y testeado. Válvula de acero para la industria del petróleo y petroquímica.	All models. Todos los modelos.	1/4" - 16"
BS 5351	Oil & gas ball valves. Válvulas esféricas para la industria del petróleo y petroquímica.	26 - 27 - 44 - 45 - 50 - 51 - 52 53 - 59 - 82 - 83 - 84 - 85	1/4" - 16"
MSS -SP -25	Valve marking. Sistema de marcación standard.	All models. Todos los modelos.	1/4" - 16"
MSS -SP -55	Visual method for valve acceptance for casted valves. Método visual aceptación de válvulas de acero fundidas.	17 - 26 - 27 - 40 - 45 - 50 - 51 - 52 53 - 59 - 82 - 83 - 84 - 85	1/2" - 16"
API 6D	Materials and tests. Specs for valves. Especificaciones de válvulas en cañerías. Materiales - Test hidrostáticos.	All models. Todos los modelos.	1/4" - 16"
API 607	Fire safe tests. Test a prueba de fuego.	F44 - 51 - 52 - 82 - 83 - 84 - 85	1/4" - 16"
API 598	Inspection and tests. Inspección y ensayos de válvulas.	All models. Todos los modelos.	1/4" - 16"
ANSI B 16.5	Flanges. Bridas para tubos de acero.	17 - 18 - 26 - 27 - 44 - 51 - 52 - 53 82 - 83 - 84 - 85	1/2" - 16"
ANSI B 16.10	End dimensions. Largo entre bridas y/o para soldar.	26 - 27 - 40 - 44 - 51 - 52 - 53 - 82 - 83 - 84 - 85	1/2" - 16"
ANSI B 16.11	End standards (SW and screwed). Dimensionamiento extremos: S.W. (Socketweld), S.E. (Roscados).	15 - 43 - 44 - 45 - 46 - 59	1/4" - 6"
ANSI B 16.34	Steel valves. Válvulas de acero.	17 - 18 - 26 - 27 - 40 - 43 - 44 - 45 - 46 - 51 - 52 - 53 - 59 - 82 - 83 - 84 - 85	1/4" - 10"
ANSI B 16.104	Hidraulic testing. Procedimientos test hidrostáticos.	All models. Todos los modelos.	1/4" - 14"

ASTM American Society for Testing and Materials. IRAM Instituto Argentino Racionalización de Materiales.

How to order. Cómo especificar una válvula.



1} y 2} Model.

Modelo.

3} y 4} Size.

Tamaño.

5} Special applications.

Aplicaciones Especiales.

6} Body material.

Material del Cuerpo.

7} Ball and stem.

Esfera y Vástago.

8} Seat material.

Material del Asiento.

9} Body gasket material.

Material de la Junta Cuerpo.

10} Ends.

Conexiones en los Extremos.

11} Operator.

Montaje.

1} y 2} Model (two digits).

Modelo (dos dígitos).

15- High pressure standard bore (1/2" to 2 1/2"). *Válvula alta presión paso nominal (1/2" a 2 1/2").*

16- Pig launch & receiving 2" to 10" ANSI 150 to 900. *Lanzadora y receptora de scrapers 2" a 10" ANSI 150 a 900.*

17- Three way lateral entry port std. bore 1 1/2" to 8" ANSI 150. *Tres vías entrada lateral paso nominal 1 1/2" a 8" ANSI 150.*

18- Three to five way lateral entry full bore 1" to 6" ANSI 150 to 900. *Tres a cinco vías entrada lateral Paso total 1" a 6" ANSI 150 a 900.*

19- High pressure full bore ball valve (1/4" to 2"). *Alta presión paso total (1/4" a 2").*

24- Three way screwed end ball valve 1/4" NPT. *Válvula de tres vías rosca 1/4" NPT.*

26- Flanged S-150 std. bore ball valve (3" to 8"). *Bridada S-150 paso nominal (3" a 8").*

27- Flanged S-300 std. bore ball valve (3" to 8"). *Bridada S-300 paso nominal (3" a 8").*

40- Citygate standard bore, trunnion mounted ball S-150-300 (1" to 8"). *Cuerpo enterizo - E. Guiada S150-300 paso nominal (1" a 8").*

43- Screwed ball valve. Standard bore (1 1/2" to 2 1/2"). *Cuerpo enterizo paso nominal (1 1/2" a 2 1/2").*

44- Three piece ball valve standard bore (1/4" to 2 1/2"). *Válvula de 3 piezas paso nominal (1/4" a 2 1/2").*

45- Three piece ball valve standard bore (2 1/2" to 6"). *Válvula de 3 piezas paso nominal (2 1/2" a 6").*

46- Two piece screwed ball valve. Full bore. (1 1/2" to 2"). *Cuerpo enterizo paso total (1 1/2" y 2").*

49- Wafer valve. S150 (3" to 8"). *Válvula para colocar entre bridas S150 (3" a 8").*

50- Flangeless short pattern design. Wafer for 150 & 300 flanges. (3", 4" and 6"). *Válvula modelo corto para colocar entre bridas (3", 4" y 6").*

51- Flanged ANSI 150. Standard bore (1" to 16"). *Bridada S-150 paso nominal (1" a 16").*

52- Flanged ANSI 300. Standard bore (1" to 16"). *Bridada S-300 paso nominal (1" a 16").*

53- Flanged ANSI 600. Reduced bore (2" to 16"). *Bridada S-600 paso nominal (2" a 16").*

58- Reduced bore valve (1/2" to 1"). *Modelo económico paso reducido (1/2" a 1").*

59- Three piece ball valve full bore (1/4" to 4"). *Válvula de 3 piezas paso total (1/4" a 4").*

66- Three piece ball valve std. bore (1/2" to 2 1/2"). *Válvula de 3 piezas paso nominal (1/2" a 2 1/2").*

82- Flanged ANSI 150. Full bore (1/2" to 12"). *Bridada S-150 paso total (1/2" a 12").*

83- Flanged ANSI 300. Full bore (1/2" to 12"). *Bridada S-300 paso total (1/2" a 12").*

84- Flanged ANSI 600. Full bore (1/2" to 12"). *Bridada S-600 paso total (1/2" a 12").*

85- Flanged ANSI 900. Full bore (1 1/2" to 8"). *Bridada S-900 paso total (1 1/2" a 8").*

86- Flanged S-1500. Full bore (1 1/2" to 8"). *Bridada S-1500 paso total (1 1/2" a 8").*

88- Double union ball valve (1/4" to 2"). *Válvula con extremos tipo unión doble (1/4" a 2").*

91- Cut valve. *Válvula Cut para recuperación secundaria.*

92- S-3000 Trunnion ball valve screwed ends. *Válvula guiada esfera con vástago integral S-3000 roscada.*

3} y 4} Size (two digits).

Tamaño (dos dígitos).

01- DN 4 (1/8")

02- DN 8 (1/4")

03- DN 10 (3/8")

05- DN 15 (1/2")

07- DN 20 (3/4")

10- DN 25 (1")

12- DN 32 (1 1/4")

15- DN 40 (1 1/2")

20- DN 50 (2")

25- DN 65 (2 1/2")

30- DN 80 (3")

40- DN 100 (4")

60- DN 150 (6")

80- DN 200 (8")

A0- DN 250 (10")

A2- DN 300 (12")

A4- DN 350 (14")

A6- DN 400 (16")

T4- Tubo 4". *Tube 4"*

T6- Tubo 6". *Tube 6"*

5} Special applications (one digit).

Aplicaciones Especiales (un dígito).

0- Standard valve.

Corresponde a la válvula standard.

1- More than one application.

Más de una aplicación.

2- Three way - porting # 2.

Tres vías porting # 2.

3- Three way -porting # 3.

Tres vías porting # 3.

9- Fugitive emission. *Emisión fugitiva.*

A- Antistatic. *Anti estático.*

B- Fire safe antistatic. *A prueba de fuego anti estático.*

C- Chlorine. *Cloro.*

D- Vented body. *Desaire.*

F- Fire safe. *A prueba de fuego.*

H- High pressure. *Alta presión.*

J- Extended stem.

Extensor de vástago.

K- Jacketed. *Calefaccionada.*

L- B7 bolting nut 2H.

Espárrago B7 tuerca 2H.

M- Male threads. *Con rosca macho.*

P- Ball with relief hole. *Esfera perforada.*

Q- Vacuum service. *Para vacío.*

S- St. st. bolting & accessories.

Bulones, tuercas y accesorios en inoxidable.

T- Three way -porting # 1.

Tres vías porting # 1.

W- Extended stem (LQ).

Vástago prolongado LQ.

X- Oxygen service. *Oxígeno.*

Y- Extended stem (AG).

Vástago prolongado AG.

Z- Cryogenic service. *Criogénica.*

6) Body material (one digit).
Material del Cuerpo (un dígito).

- 1- Brass. *Bronce.*
Forged *Forja* = B283-C37700
Casting *Fundición* = B-62
- 4- Carbon steel. *Acero al carbono.*
Forged *Forja* = ASTM A105
Casting *Fundición* = ASTM A216 WCB
- 6- St. st. 316. *Acero inox. 316.*
Forged *Forja* = A182 F316
Casting *Fundición* = A351 CF8M
- 7- Monel.
ASTM A494 GR M-35-1
- 8- St. st. 304. *Acero inox. 304.*
Forged *Forja* = A182 F304
Casting *Fundición* = A351 CF8
- 9- Carbon steel. *Acero al carbono.*
Para baja temperatura.
ASTM A352 LCB
ASTM A350 LF2
- A- Alloy 20.
ASTM A744 GR CN7M
- C- Hastelloy C.
ASTM A494 GR CW-6M
- D- D- Duplex. *Duplex*
ASTM A494 GR CW-6M
- L- St. st. 316 L. *Acero inox. 316 L*

7) Ball and stem (one digit).
Esfera y Vástago (un dígito).

- 1- Brass. *Bronce.*
Bar Stock *Barra* = B124-C37700
Forged *Forja* = B283-C37700
Casting *Fundición* = B-62
- 2- Ball st. st. 304 + Stem 416
Esfera 304 + vástago 416
- 4- Carbon steel. *Acero al carbono.*
Bar Stock *Barra* = A108 Gr.10200
Forged *Forja* = A105
Casting *Fundición* = A216 WCB
- 5- Vástago inox. 17-4PH con esfera 316
- 6- St. st. 316. *Acero inox. 316.*
Bar Stock *Barra* = A276 Gr.316
Forged *Forja* = A182 F316
Casting *Fundición* = A351 CF8M
- 7- Monel.
ASTM A494 GR M-35-1
- 8- St. st. 304. *Acero inox. 304.*
Bar Stock *Barra* = A276 Gr.304
Forged *Forja* = A182 F304
Casting *Fundición* = A351 CF8

- A- Alloy 20.
ASTM A744 GR CN7M
- C- Hastelloy C.
ASTM A494 GR CW -6M
- D- Duplex. *Duplex*
- E- Ball + Stem + CS Seat / ENP 25 M Microns. *Esf. + vástago + Porta A. de Carbono con ENP 25 micrones*
- J- CS Ball w/ st. st. stem. *Esfera de acero al carbono y vástago de inoxidable.*
- L- St.st. 316 L. *Ac. inox. 316 L*
- M- CS Ball ENP 25 microns + st. st. Stem. *Esfera Carb. ENP 25 micrones + vástago inox.*
- N- Nickel Plated Ball + st. st. Stem. *Esfera 316 Niquelada + vástago inox.*
- P- CS Ball ENP 25 microns + st. st. Stem ENP 25 microns. *Esfera Carb. ENP 25 micrones + vástago inox. ENP 25 micrones*
- Q- CS Ball ENP 25 microns + Stem CS 25 microns. *Esfera Carb. ENP 25 micrones + vástago Carb. ENP 25 micrones.*

8) Seat material (one digit).
Material del Asiento (un dígito).

- B- Metal B round seat.
Asiento metal "B".
- C- Metal "V" port seats.
Asiento metal en V caracterizado.
- G- Metal round seats.
Asiento circular metal inoxidable.
- H- High Perfill.
- K- Metal seat w/ C/Fill insert.
Metálico con inserto de C/Fill.
- L- Metal seat w/PTFR insert.
Metálico con inserto de TR.
- M- Metal with Nylon™ insert (trunnion ball). *Metálico con inserto de Nylon (trunnion).*
- N- Metal seat w/Devlon insert.
Metálico con inserto de Devlon.
- P- C/fill. *C/fill.*
- R- PTFR. *PTFR (Teflon™ Reforzado).*
- T- PTFE. *PTFE (Teflon™ Virgen).*
- U- UHMWPE.
- X- Peek. *Peek.*
- Y- Delrin - Lubetal - Nylon™.

9) Body gasket material (one digit).
Material de la Junta Cuerpo (un dígito).

- A- Silicone. *Silicona.*
- B- Nitrile. *Buna.*
- C- Copper. *Cobre.*
- D- AED. *AED.*
- E- EPDM. *EPDM (Etileno - Propileno).*
- F- Grafoil + Viton. *Grafoil + Viton.*
- G- Grafoil + Buna. *Grafoil + Buna.*
- H- HN666. *HN666.*
- I- Integral seat. *Indica junta asiento integral.*
- J- Grafoil + AED. *Grafoil + AED.*
- N- Neoprene.
- Q- Grafoil + HN666. *Grafoil + HN666.*
- R- PTFR glass filled.
PTFR (Teflon™ Reforzado).
- S- Metal. *Metálica.*
- T- PTFE (Teflon™).
PTFE (Teflon™ Virgen).
- U- UHMWPE. *UHMWPE.*
- V- Viton. *Viton.*

10) Ends (one digit).

- Conexiones en los Extremos (un dígito).*
- 0- Special ends. *Extremos especiales.*
- 1- Flanged 150 RF (Mod. 44).
Bridada 150 RF (Mod. 44).
- 3- Flanged 300 RF (Mod. 44).
Bridada 300 RF (Mod. 44).
- 5- Serie 1500
- 6- Serie 600
- 9- Serie 900
- A- Dairy Danish. *Danesa.*
- B- BSPT screwed. *Rosca BSPT.*
- C- Tri-Clamp. *Tri-Clamp.*
- D- Tank bottom. *Fondo de tanque.*
- E- Wafer. *Entre bridas.*
- F- Flanged FF. *Bridada FF.*
- I- BW SCH. 80. *BW SCH. 80.*
- J- Ring joint. *Ring joint.*
- L- Threaded line pipe. *Rosca line pipe.*
- M- BW. SCH. 160. *BW. SCH. 160.*
- N- NPT screwed. *Rosca NPT.*
- O- No caps. *Sin tapas.*
- P- BSP screwed. *Rosca BSP.*
- Q- BW extended. *BW prolongado tubo.*
- R- Flanged RF. *Bridada RF.*
- S- SW pipe. *SW caño.*
- T- SW tube. *SW tubo.*
- U- Extended SW. *SW prolongado.*
- V- BW tube. *BW tubo.*
- W- BW pipe. *BW caño SCH. 40.*
- X- Extended BW pipe. *BW caño prolongado.*
- Y- Vitaulic. *Vitaulic.*

11) Operator (one digit).
Montaje (un dígito).

- A- Actuator. *Actuador.*
- B- Smart handle. *Palanca barquito.*
- C- Gear box. *Caja de engranajes.*
- I- Padlocking handle. *Manija con traba candado.*
- M- Wrench. *Manija.*
- N- Bare stem. *Vástago libre cuadrado.*
- O- Oval handle. *Palanca oval.*
- P- Bare stem w/cotter pin. *Vástago libre con chaveta.*

For the following valves use code "P" instead of code "N".

Para las siguientes válvulas usar el código "P" en reemplazo del código "N".

- 10" 51/52 and larger;
10" 51/52 y mayores;
- 8" 82 and larger;
8" 82 y mayores;
- 4" 83 trunnion and larger;
4" 83 guiadas y mayores;
- 4" 84 and larger.
4" 84 y mayores.

R- Spring return handle. *Palanca retorno a resortes.*

S- Locking handle. *Traba seguridad.*

T- Locking handle x 2. *Traba seguridad dos posiciones.*



VALBOL

Válvulas Worcester de Argentina S.A.

Distribuidores - Representantes en Argentina

Santa Fe

Fluodinámica s.A.
Cafferata 1441
S2002QXM Rosario
Pcia. de Santa Fe

0341-4352300
Fax: 0341-4352500
comercialros@fluodinamica.com.ar

Tucumán

Fluodinámica s.A.
Ejército del Norte 668 / 74
T4000KIN San Miguel de Tucumán
Pcia. de Tucumán

0381-4330977
Fax: 0381-4330283
comercialtuc@fluodinamica.com.ar

Neuquén

Fluodinámica s.A.
Dr. Teodoro Planas 4843
8300 Neuquén
Pcia. de Neuquén

Tel./Fax: 0299-4441444
comercialnqn@fluodinamica.com.ar

Mendoza

Industrias Montefiore s.A.
Godoy Cruz 100
M5519CAB San José, Guaymallén
Pcia. de Mendoza

0261-4457171
0261-4457161
Fax: 0261-4457161
comercialmza@montefiore.com.ar

Córdoba

Ferreval s.A.
Avda. Emilio A. Caraffa 2615
X5009BSP Villa Cabrera
Pcia. de Córdoba

0351-4800013
0351-4807070
Fax: 0351-4806101
ferreval@arnet.com.ar

Mar del Plata

Tecnología Integral s.R.L.
Vieytes N° 3130
B7602FCL Mar del Plata

Tel./Fax: 0223-4760607
tecgralmpl@tecgral.com.ar

Tierra del Fuego

Fadats Fueguina
Av. Belgrano 1192
9420 Río Grande
Pcia. de Tierra del Fuego

02964-425645
Fax: 02964-432668
fadats@netcombbs.com.ar

Buenos Aires

Servin Ingeniería y Equipos
Avda. Colón 2110 / 16
B8000FUY Bahía Blanca
Pcia. de Buenos Aires

0291-4547318
0291-4528687
Fax: 0291-4553727
servinbbca@serviningeneria.com.ar

Chubut

Terramar s.R.L.
Pedro Pablo Ortega 4216
U9003AGX Barrio Industrial
Comodoro Rivadavia
Pcia. de Chubut

0297-4480552
0297-4483989
0297-4410132
0297-4410133
Fax: 0297-4480552
terramar@sinctis.com.ar

Buenos Aires

Sistemas y Servicios
Av. Pellegrini 1527
B7400FPL Olavarría
Pcia. de Buenos Aires

Tel./Fax: 02284-450102
ventas@sistem.com.ar

Representantes en Sudamérica

Bolivia

Servipetrol Ltda.
Avda. Grigotá, km 2,5
Carretera a Cochabamba,
Santa Cruz

Chile

Tecval s.A.
Cordillera 221,
Parque Industrial A. Vespucio,
Quilicura, Santiago

Ecuador

Grupo Provi
Jaime Roldós y calle Pública
cdla. Urdenor, mzna. 303 S 3
Guayaquil

Paraguay

Provindus s.A.
Avda. Eusebio Ayala 3747
Asunción

Perú

Adolphus s.A.
Jirón Napo 126
Lima 5

Venezuela

Eleinca c.A.
Centro Industrial Garda
Carretera 5 con calle 7
Barquisimeto-Ed. Lara

Válvulas Worcester de Argentina S.A.

Osvaldo Cruz 3333 (C1293ADL)
Ciudad Autónoma de Buenos Aires
Argentina
Phone: (54 11) 4303-0037
Fax: (54 11) 4301-8694
mail@valbol.com
www.valbol.com

ISO - 9001: 2000



API 6D-0395



The information and dimensions
are subject to changes without
notice.

La empresa se reserva el derecho
de modificar cualquiera de
las características o medidas
de los productos.